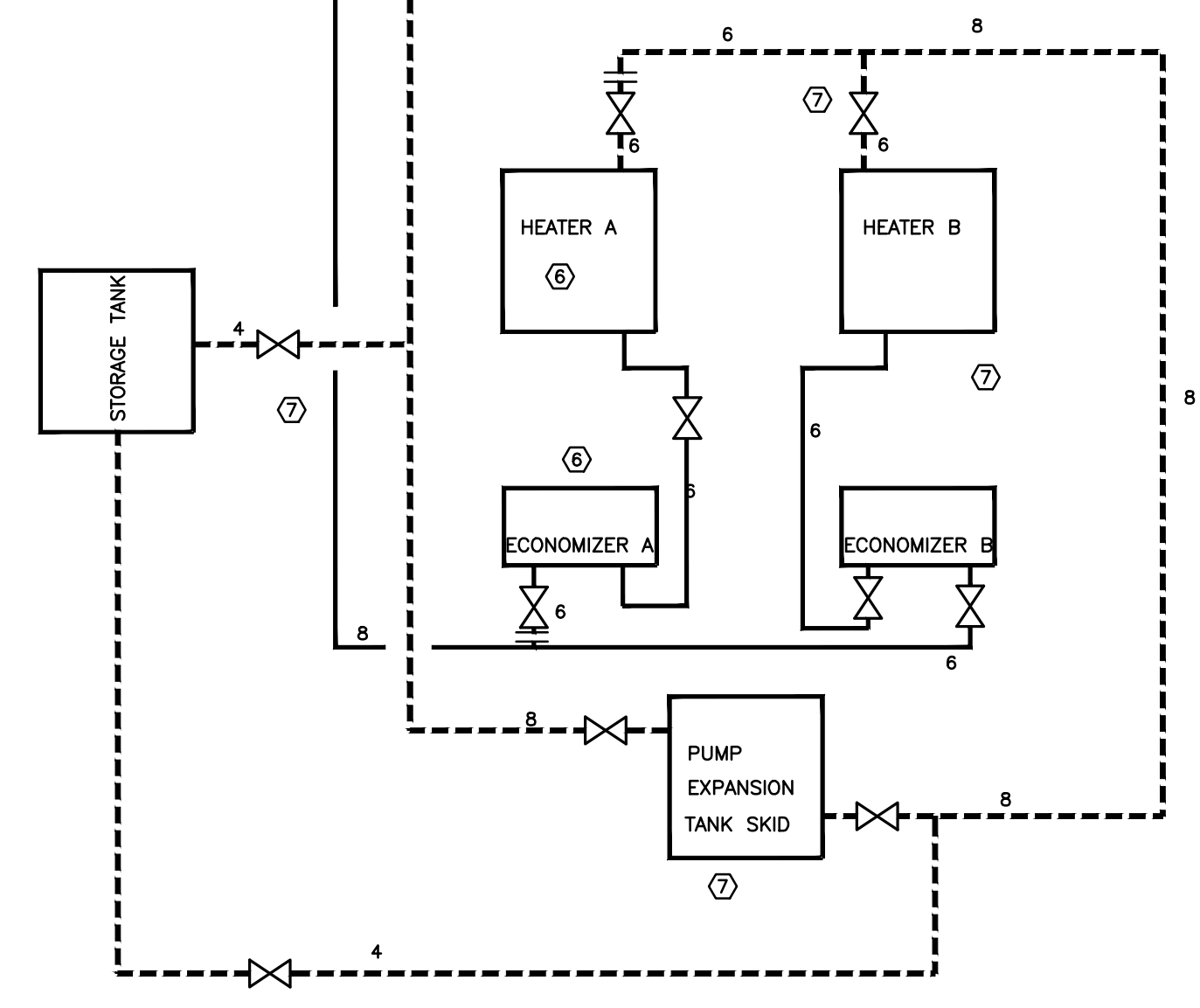
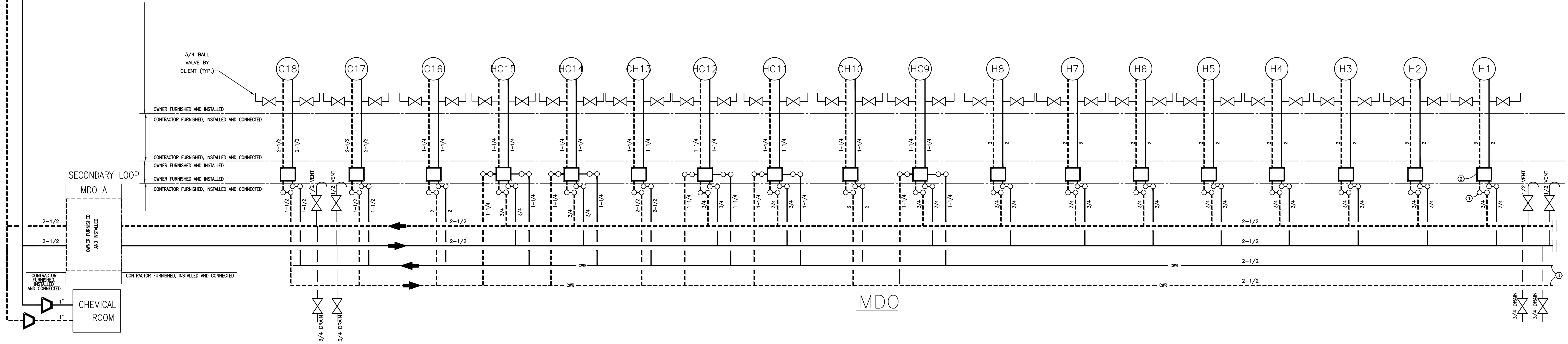


NOTES: SOME CONTROL IS REQUIRED FROM TFH PANEL TO CONNECT THESE WITH PROCESS COMPUTER. CABLE FROM EACH EQUIPMENT FOR AND INPUT/OUTPUT SIGNAL WILL GO TO CONTROL PANELS (6 H1) WHICH WILL BE LOCATED IN CONTROL PANEL ROOM (P-125).

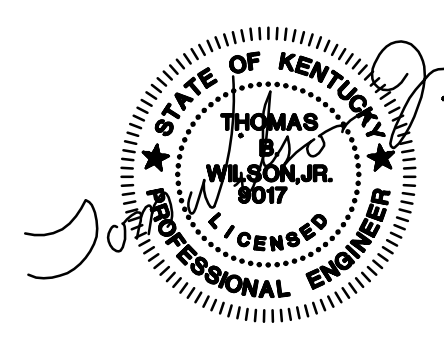
1. FAULT STATUS CONTACT FROM HEATER PANEL IS REQUIRED. THIS IS REQUIRED TO KNOW THE STATUS OF TFH ON PROCESS COMPUTER.
2. HOT OIL TEMP. REFERENCE (4-20 MILLIAMPS) IS REQUIRED TO CONTROL PANEL 6H-1. THIS CAN BE GIVEN FROM THE TEMPERATURE CONTROLLER OF HEATER CONTROL PANEL. THIS IS REQUIRED TO READ THE HOT OIL TEMPERATURE ON PROCESS COMPUTER.



- SHEET NOTES:**
- ① BALL JOINTS, 2 PER PIPE, TYPICAL OF 46 PIPES.
 - ② BOX REPRESENTS 400 SEC. PUMP EQUIPMENT SUPPLIED BY CLIENT. TYPICAL OF 18.
 - ③ FROM THE CHILLED WATER HEADER
 - ④ BALL JOINTS, 2 PER PIPE, TYPICAL OF 24 PIPES
 - ⑤ BOX REPRESENTS 200 SEC. PUMP EQUIPMENT SUPPLIED BY CLIENT. TYPICAL OF 12.
 - ⑥ HEATER A AND ECONOMIZER A WILL NOT BE INSTALLED AS PART OF THIS CONTRACT. CONTRACTOR SHALL INSTALL HOUSEKEEPING PIPING AND SMALL INSTALL WELVES AND BLIND FLANGES AT EACH POINT REQUIRED FOR FUTURE INSTALLATION OF HEATER A AND ECONOMIZER A.
 - ⑦ VALVING, CONTROLS, AND INSTRUMENTATION ARE DISCUSSED IN THE SPECIFICATIONS.



HOT OIL PIPE DIAGRAM
 NOT TO SCALE



DATE	REVISION	BY
NOV 11 11	VALUE ENGINEERING RE-DESIGN DOCUMENT	

PROJECT NO. 8529-02
 DESIGNED BY RCD
 DRAWN BY TBW
 CHECKED BY RCD
 REVIEWED BY
 DATE JULY 2011
 SCALE 1/8" = 1'-0"

nsc
 OF KENTUCKY, INC.
 Engineers
 Architects
 Planners
 624 Wellington Way
 Lexington, KY 40503
 Phone: (859) 223-5664
 Fax: (859) 223-5607
 www.nscok.com