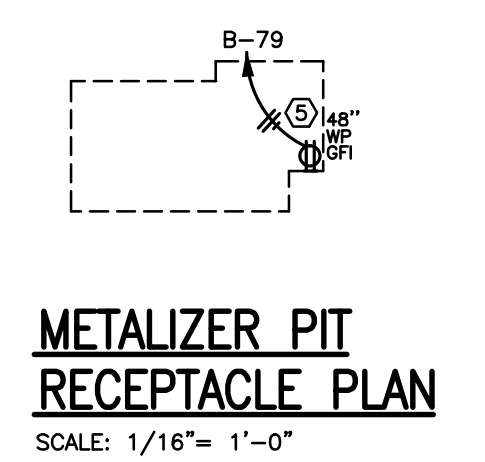


PARTIAL FIRST FLOOR RECEPTABLES, SIGNAL, DATA PLAN
 SCALE: 1/16" = 1'-0"



- SHEET NOTES:**
- ① MOUNT RECEPTACLE BETWEEN TOP OF BASE CABINET AND BOTTOM OF WALL CABINET.
 - ② ELECTRIC DOOR STRIKE WITH CARD READER. ACCESS ROUTE CABLING DOWN THROUGH DOOR FROM ELECTRIC STRIKE.
 - ③ CONTRACTOR TO PROVIDE & WIRE TRANSFORMER FOR URINAL ELECTRONIC AUTOMATIC FLUSH VALVES.
 - ④ INSPECTOR BUG KILLER, SERIES S MODEL, 599E OR EQUIVALENT BUG PREVENTION/KILLING DEVICE.
 - ⑤ CONTRACTOR TO LOCATE RECEPTACLE AT LADDER, SEE ARCHITECTURAL DETAILS.

FOR ALL RECEPTABLES, FIRE ALARM DATA IN THIS AREA SEE ENLARGED FLOOR PLAN ON SHEET NO. UFL-L12-E-003C.

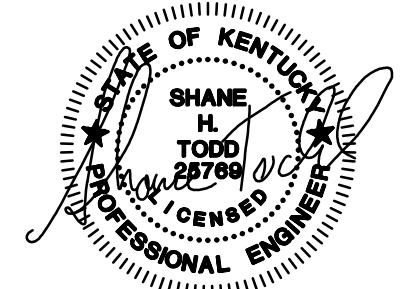


FLEXFILMS, U.S.A., LLC
 1221 NORTH BLACK BRANCH ROAD
 ELIZABETHTOWN, KENTUCKY 42702
 PROJECT L-12 BOPET U.S.A.

DATE	REVISION	BY
NOV 11	VALUE ENGINEERING RE-DESIGN DOCUMENT	

PROJECT NO. 8529-02	DESIGNED BY SHT
DRAWN BY JVB	CHECKED BY TBW
REVIEWED BY SHT	DATE JULY 2011
SCALE AS NOTED	

nse
OF KENTUCKY, INC.
 Engineers
 Architects
 Planners
 Phone: (859) 223-5694
 624 Wellington Way
 Lexington, KY 40503
 Fax: (859) 223-5607
 www.nseinc.com



DRAWING NO.
UFL-L12
E-003B