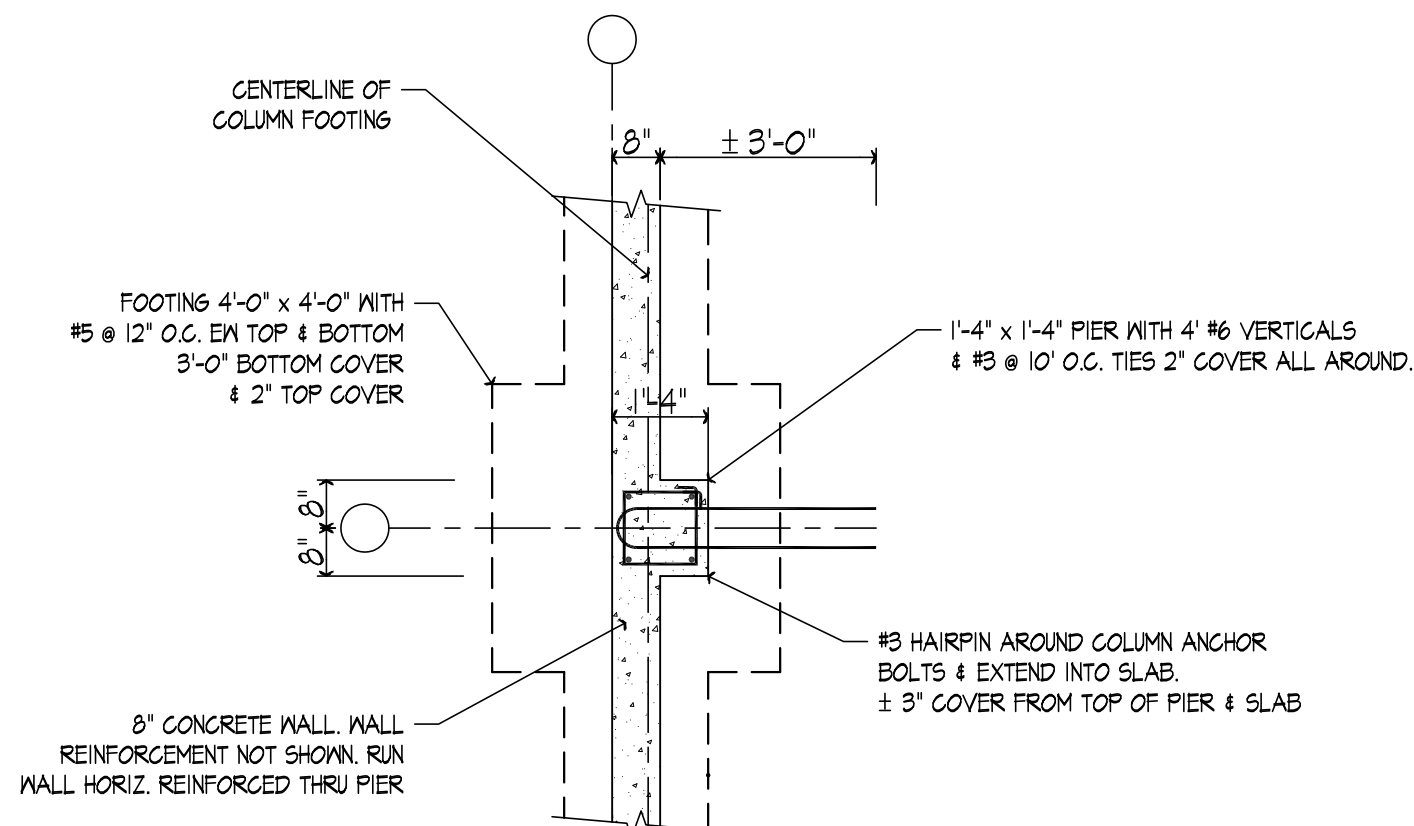
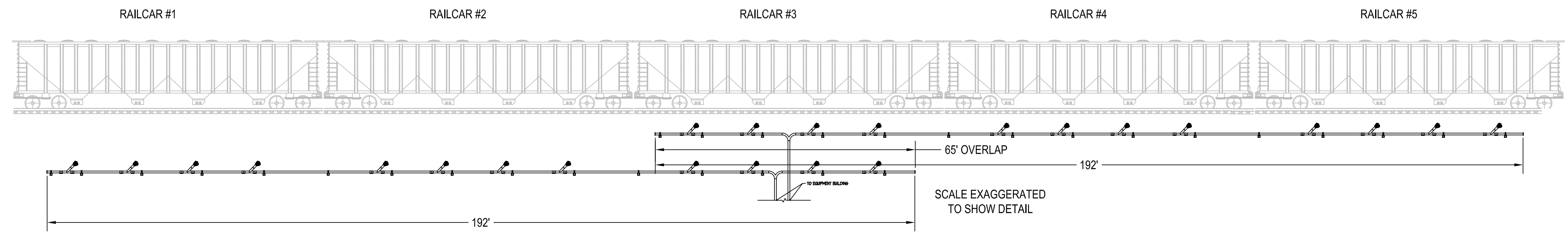


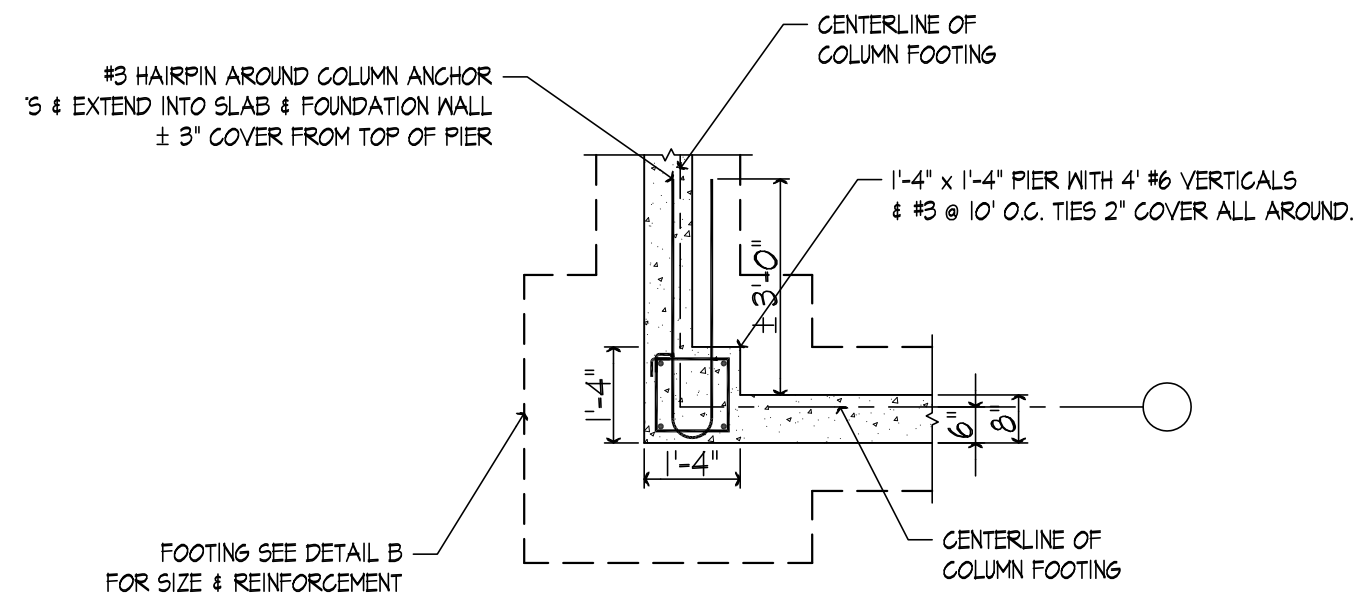
A TYPICAL EXTERIOR FOUNDATION - WALL SECTION
SCALE: 3/8"=1'-0"



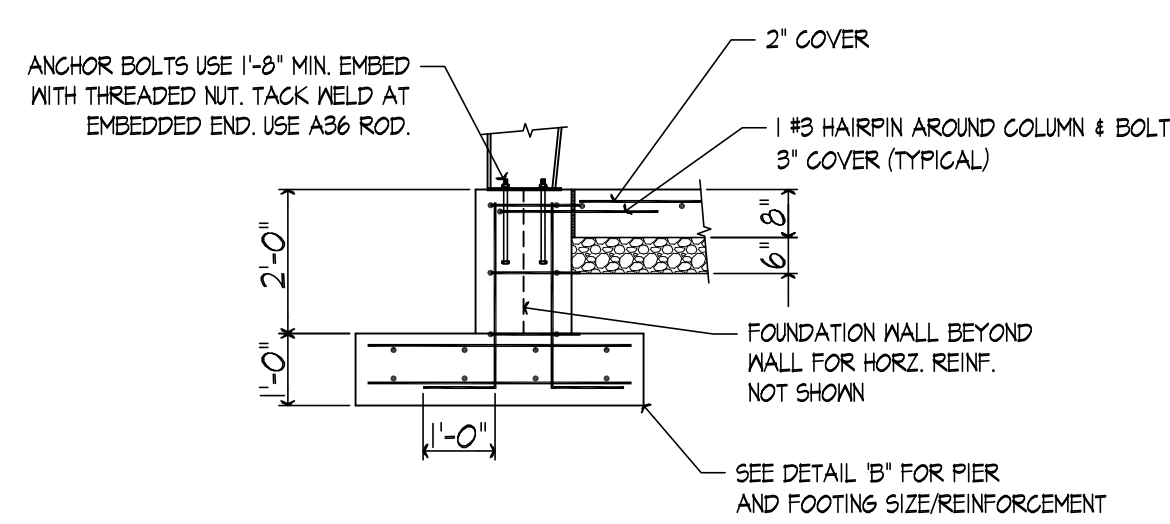
B CENTER FRAME COLUMN FOUNDATION PLAN
SCALE: 3/8"=1'-0"



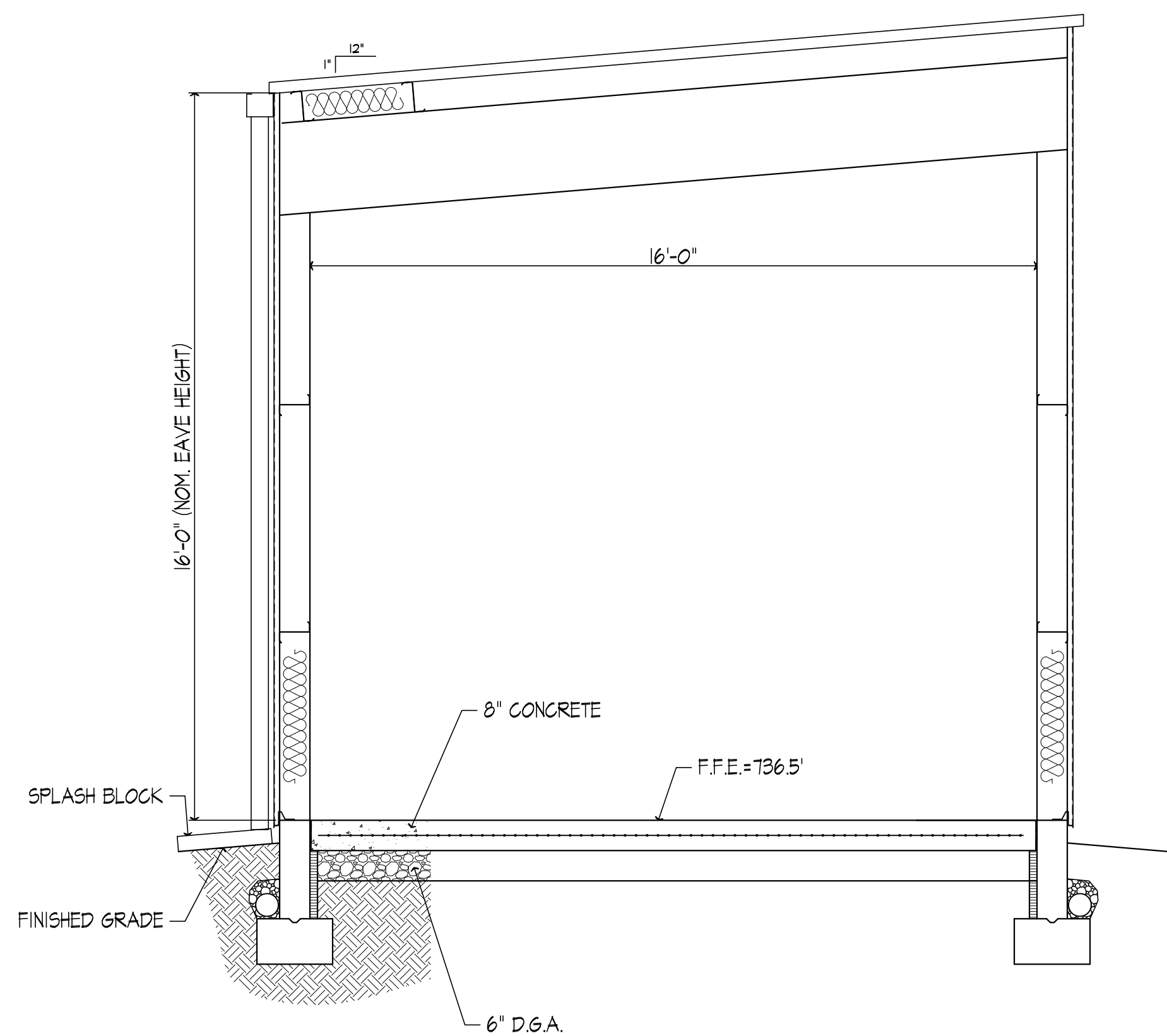
VACUUM MANIFOLD LOCATION DETAIL
NTS



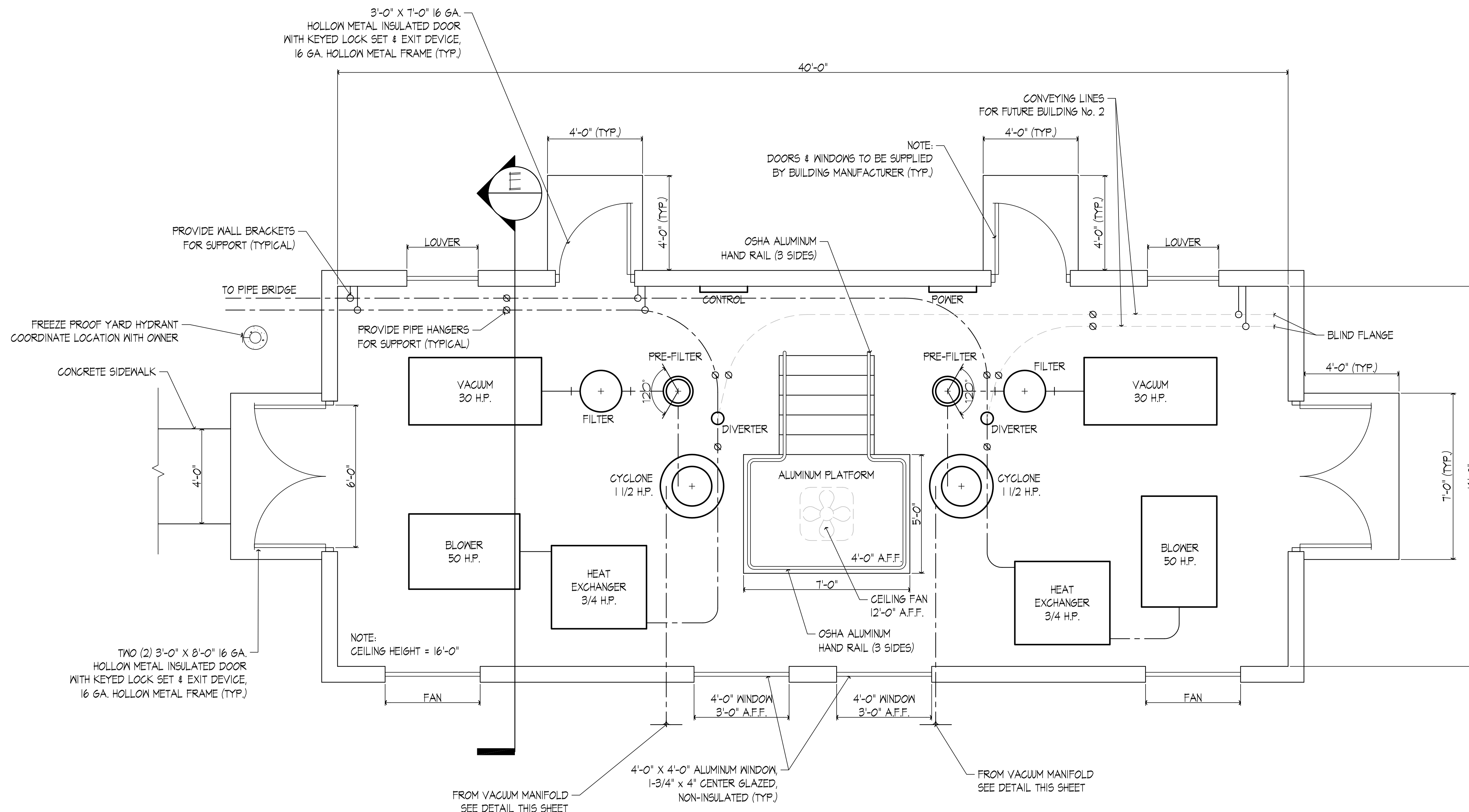
C PLAN - TYPICAL CORNER COLUMN FOUNDATION
SCALE: 3/8"=1'-0"



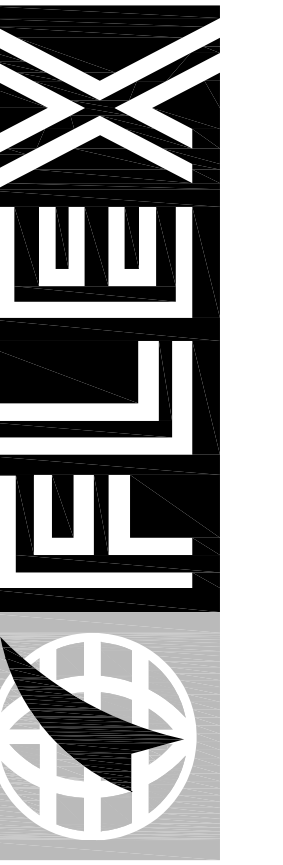
D SECTION - CENTER COLUMN - PIER & FOOTING
SCALE: 3/8"=1'-0"



RAIL EQUIPMENT ENCLOSURE - SECTION A
SCALE: 3/8"=1'-0"



RAIL EQUIPMENT ENCLOSURE - PLAN VIEW
SCALE: 3/8"=1'-0"



FLEXFILMS, U.S.A., LLC
1221 NORTH BLACK BRANCH ROAD
ELIZABETHTOWN, KENTUCKY 42702
PROJECT L-12 BOPET U.S.A.

DATE	REVISION	BY

PROJECT NO. 2064-25
DESIGNED BY: AJS
DRAWN BY: GAR
CHECKED BY: GAR
DATE: JULY 2011
SCALE: AS NOTED

Engineers
Architects
Planners
MS&P OF KENTUCKY, INC.
524 W. Main St.
Lexington, KY 40503
Phone: (606) 253-5888
Fax: (606) 253-2887
www.msandp.com

DRAWING NO.
**UFL-L12
C-105**

RAIL EQUIPMENT ENCLOSURE