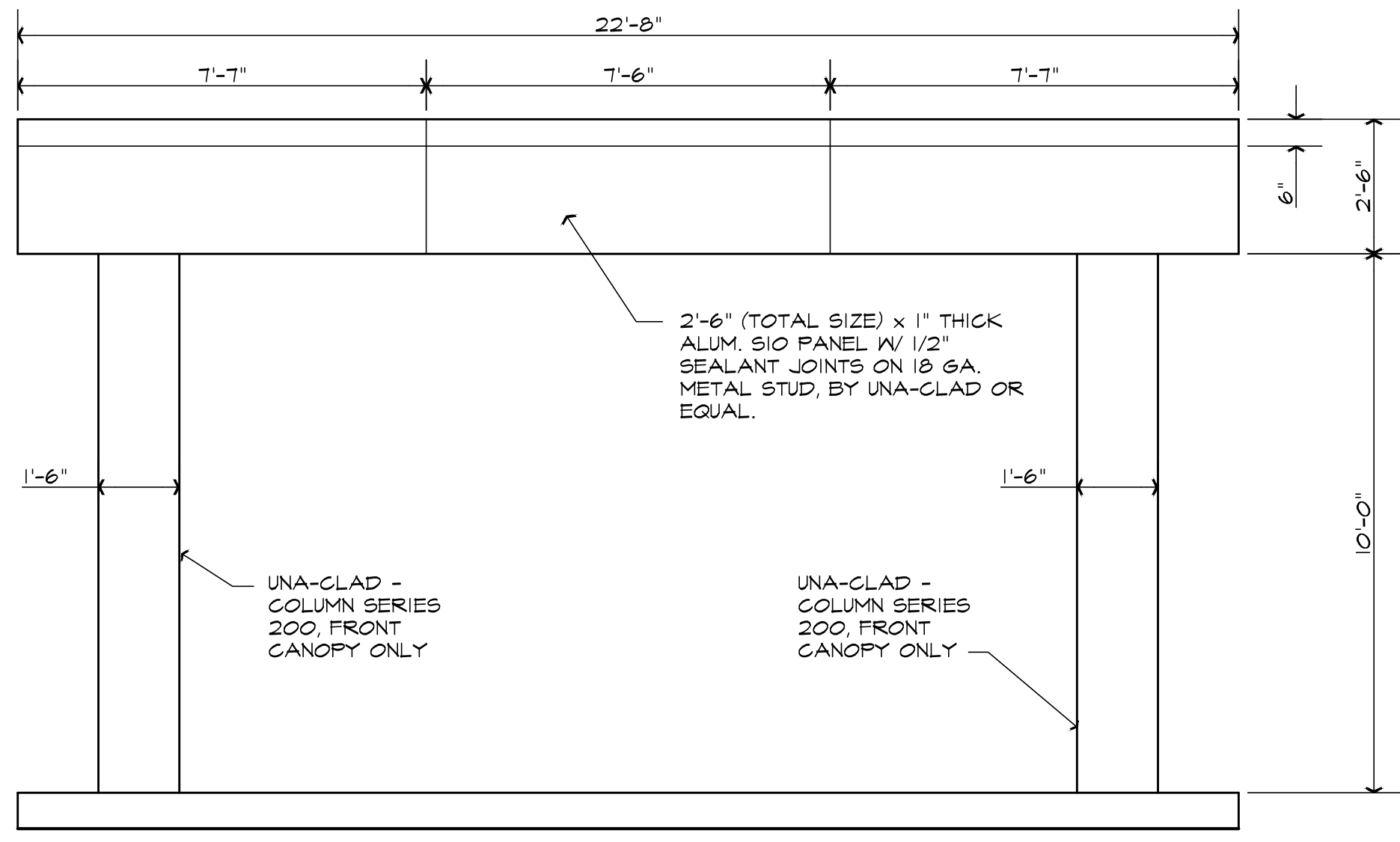


- NOTES:
- 1 INSTALL 3" ROOF DRAIN.
  - 2 INSTALL 3" OVERFLOW ROOF DRAIN.
  - 3 INSTALL 4" VTR PIPE W/DOWNTURN

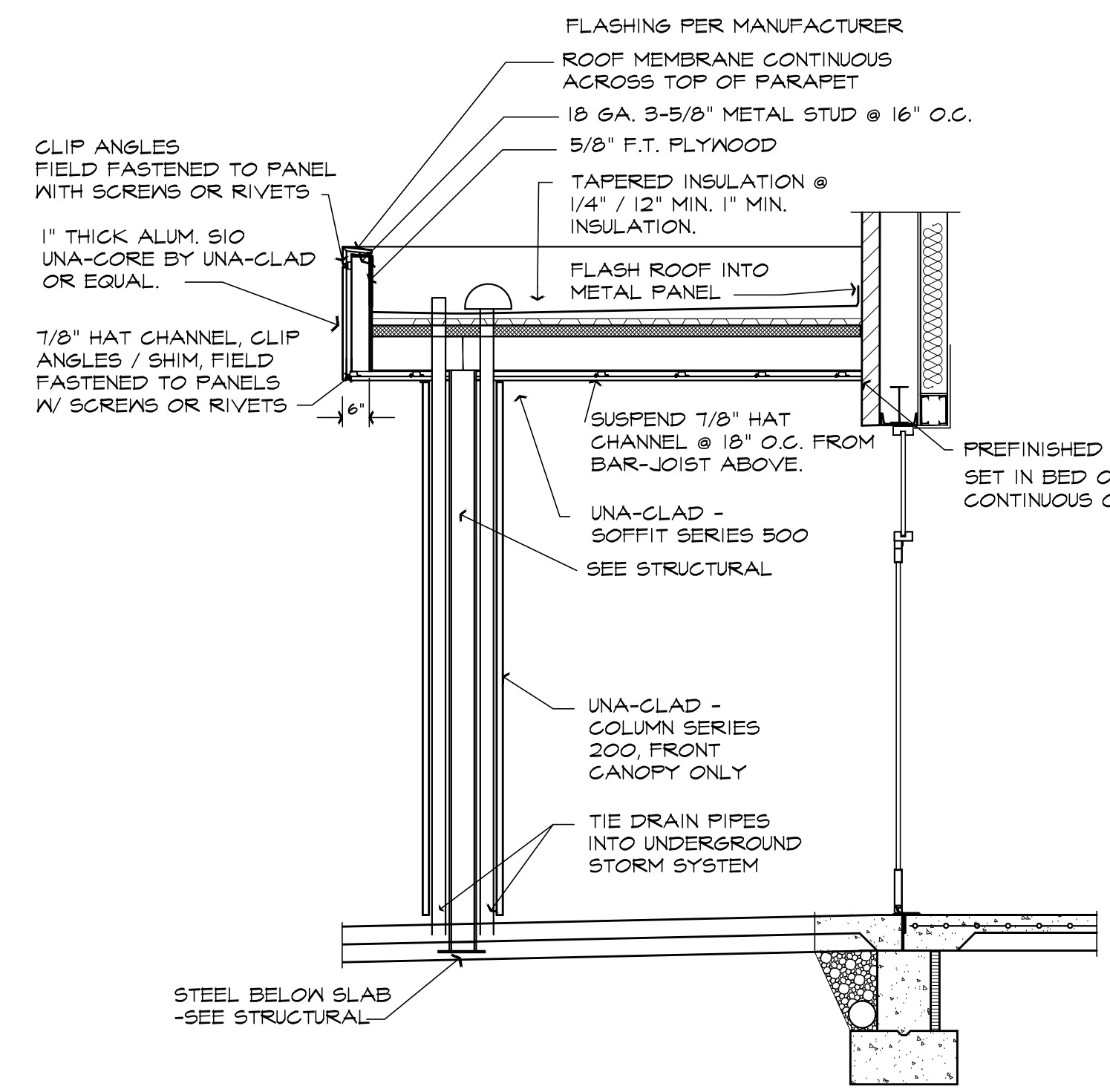
**CANOPY PLAN**  
SCALE: 3/8" = 1'-0"

F  
A-3.3



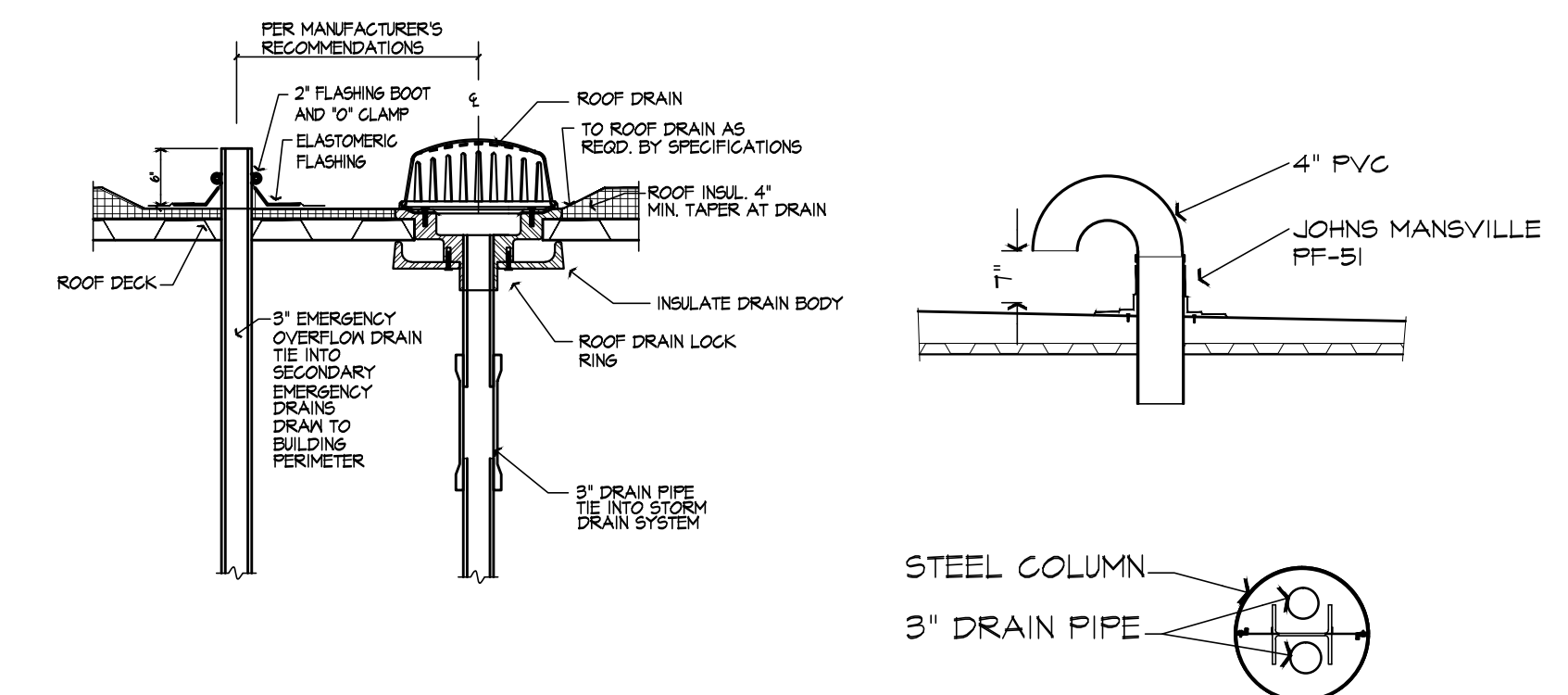
**CANOPY ELEVATION**  
SCALE: 3/8" = 1'-0"

G  
A-3.3



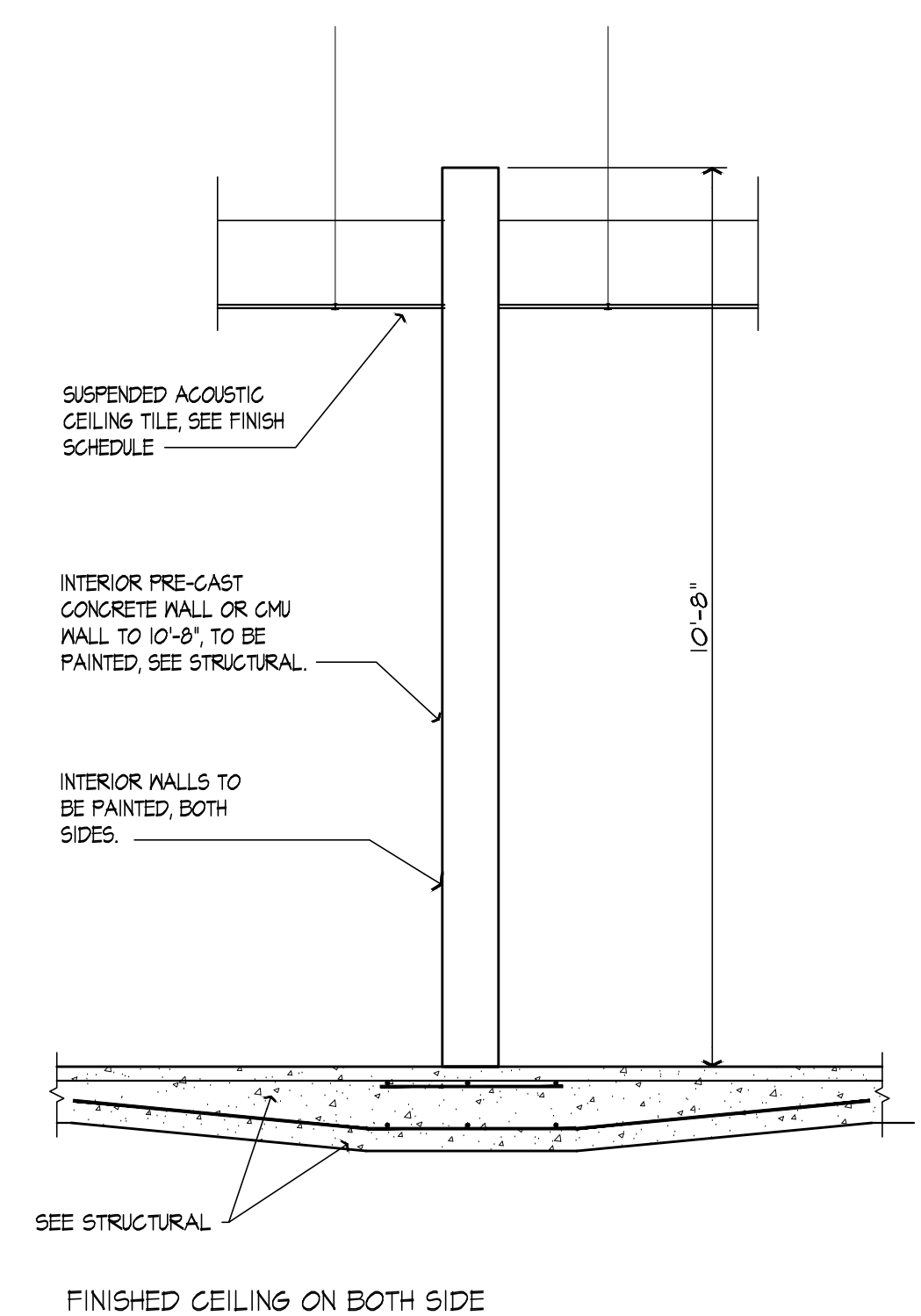
**SECTION @ CANOPY**  
SCALE: 3/8" = 1'-0"

H  
A-3.3



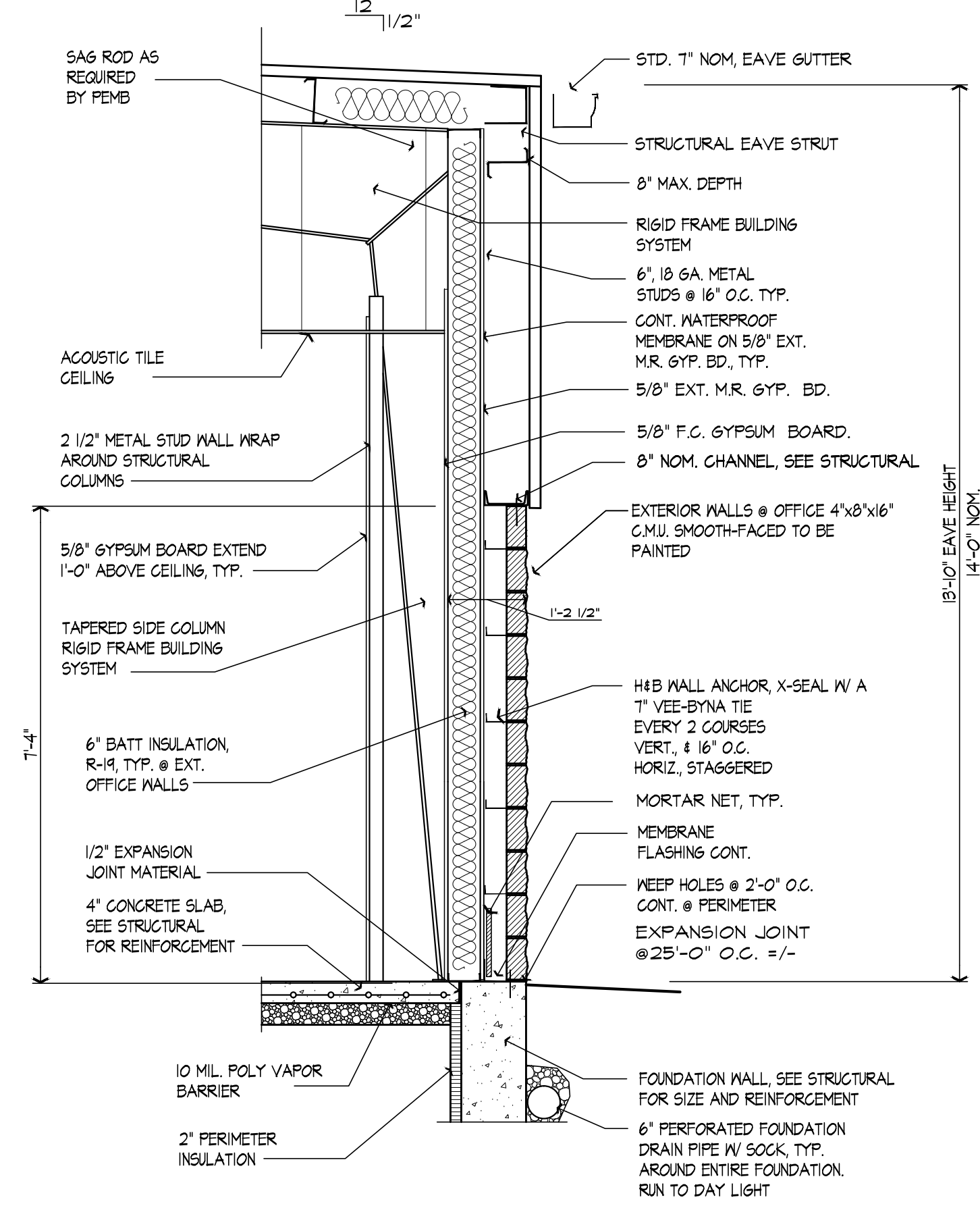
**OFFICE CANOPY DETAILS**  
SCALE: 1/2" = 1'-0"

2  
A-5



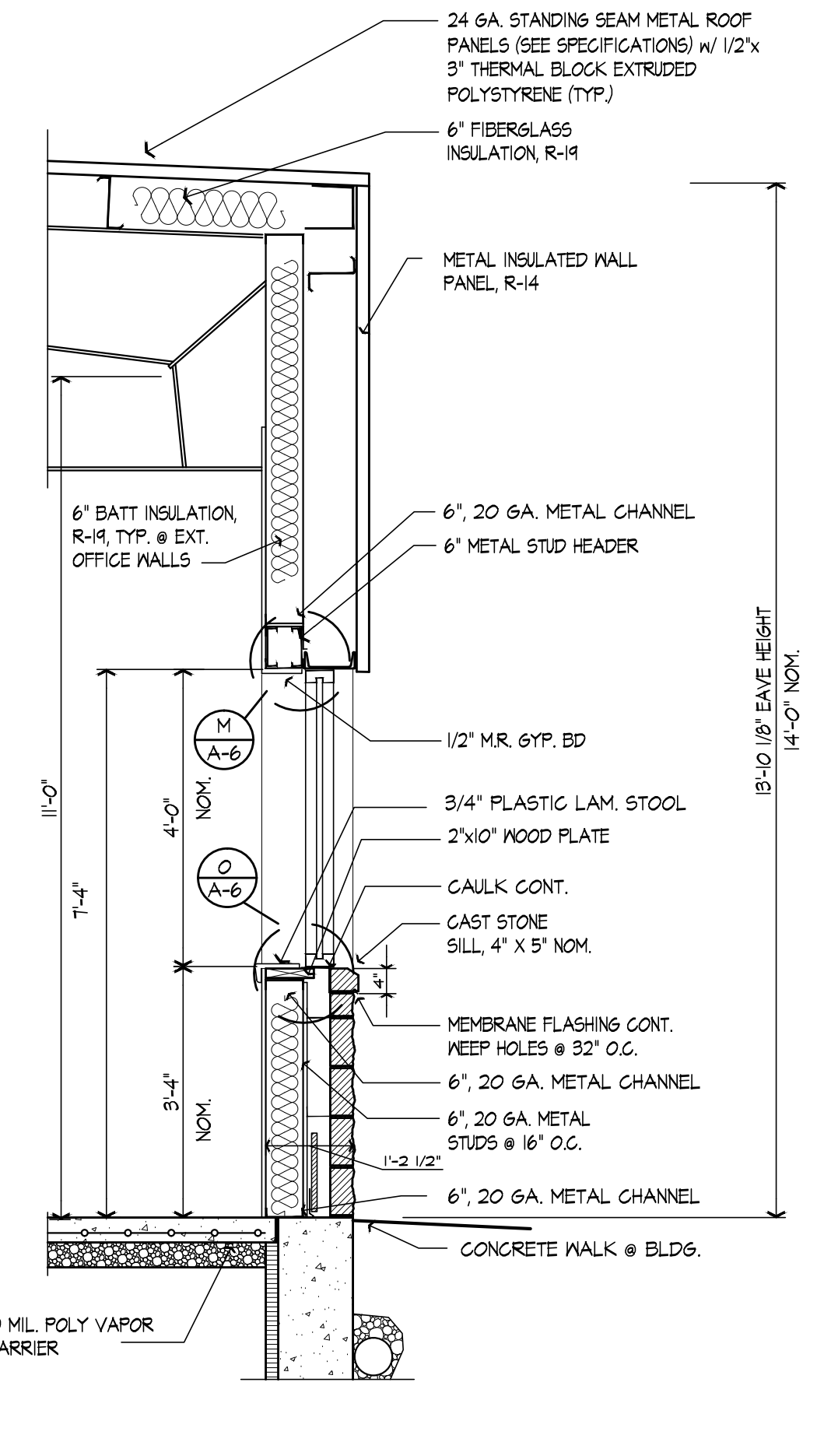
**INTERIOR WALL SECTION**  
SCALE: 1/2" = 1'-0"

A  
A-3.3



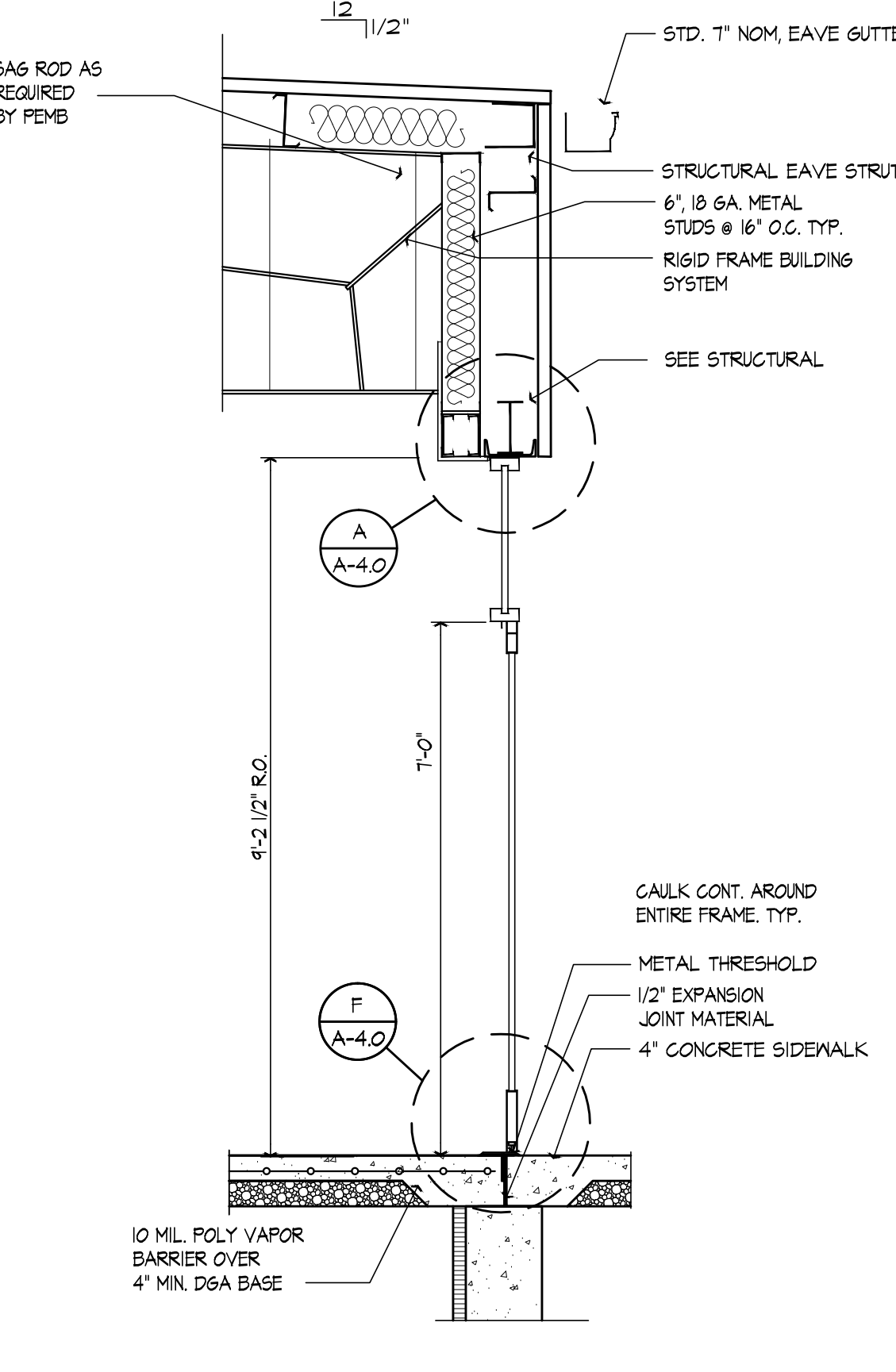
**WALL SECTION**  
SCALE: 1/2" = 1'-0"

B  
A-3.3



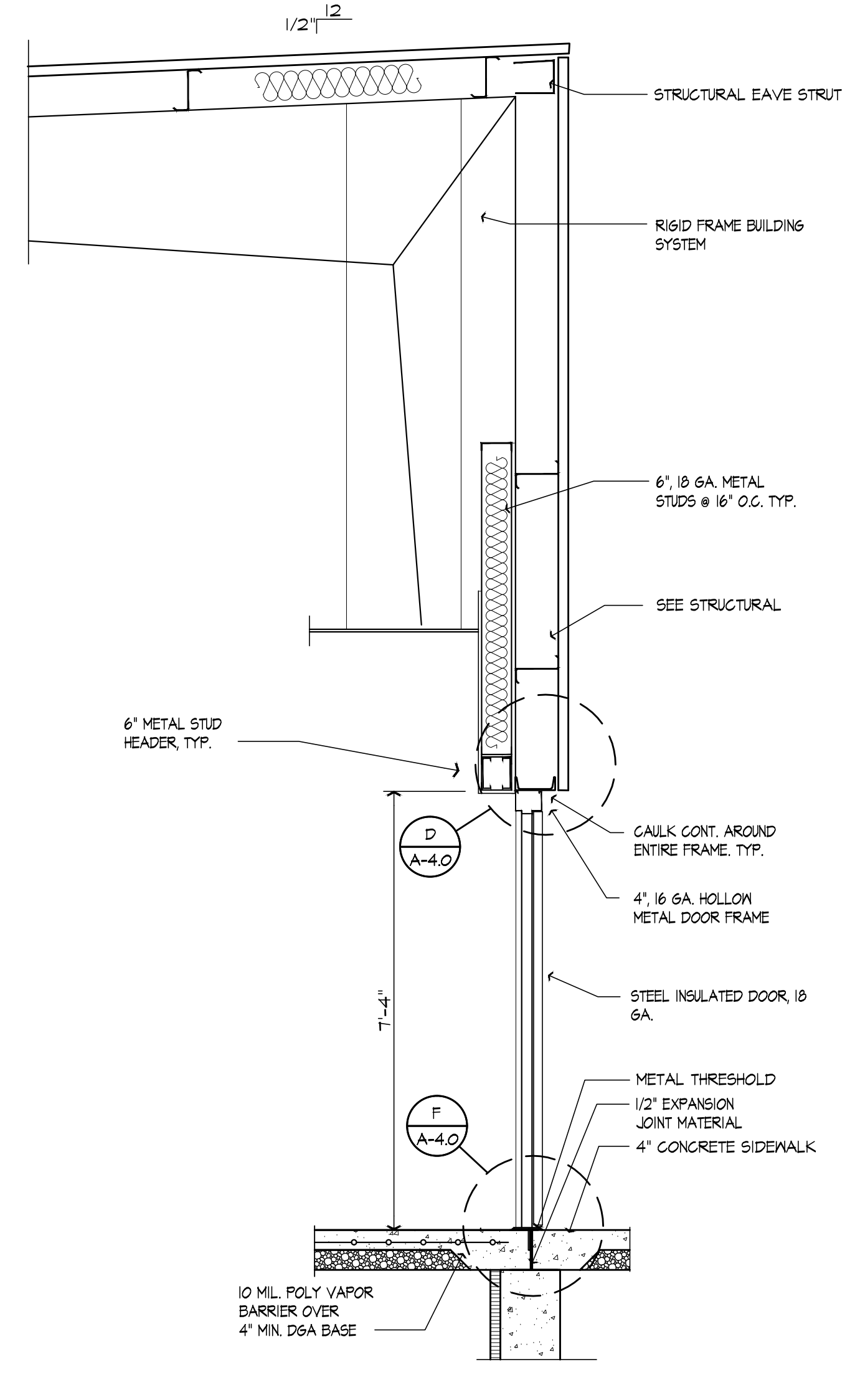
**WALL SECT. @ WINDOW**  
SCALE: 1/2" = 1'-0"

C  
A-3.3



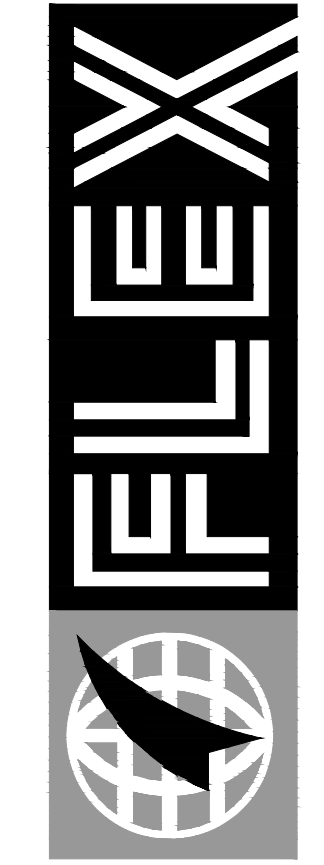
**WALL SEC @ ALUM DR. OF HMD DR.**  
SCALE: 1/2" = 1'-0"

D  
A-3.3



**WALL SEC @ HMD DR.**  
SCALE: 1/2" = 1'-0"

E  
A-3.3



**FLEX FILMS (USA) INC.**  
1221 NORTH BLACK BRANCH ROAD  
ELIZABETHTOWN, KENTUCKY 42702  
PROJECT L-12 BOPET U.S.A.

DATE	REVISION
12-28-11	REVISION NUMBER THREE, CMU WALLS

PROJECT NO. 0524-02	DESIGNED BY MSF	CHECKED BY MSF	DATE OCT. 2011	SCALE AS NOTED
DRAWN BY MSF	REVIEWED BY			

**MSF OF KENTUCKY, INC.**  
Engineers  
Architects  
Planners  
624 Wellington Way  
Lexington, KY 40505  
Phone: (606) 225-5644  
Fax: (606) 225-2671  
www.msfa.com

**DRAWING NO.**  
UFL-L12  
A-3.3

WALL SECTIONS AND CANOPY DETAILS