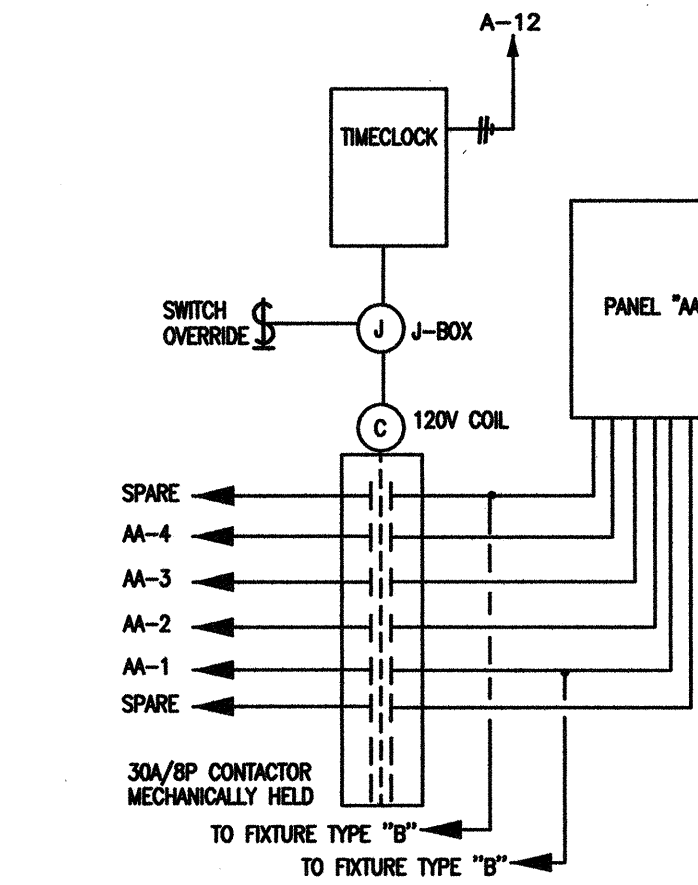


ELECTRICAL FLOOR PLAN
SCALE: 1/16" = 1' - 0"

SHEET NOTES:

- ① ROUTE THROUGH LIGHTING CONTACTOR.
- ② ROUTE STRAIGHT TO BREAKER IN PANEL.
- ③ SWITCH OVERRIDE.
- ④ MOUNT LIGHT FIXTURE "0" 16"-0" ABOVE FINISHED FLOOR. (TYPICAL 9 PLACES)



LIGHTING CONTROL SCHEMATIC
NO SCALE

PROJECT NO.	DESIGNED BY	DATE	REVISION	BY
	S.H.T.			
	J.V.B.			
	T.B.W.			
	OCT. 2011			
	AS NOTED			

mse
OF KENTUCKY, INC.
624 Wellington Way
Lexington, KY 40503
www.mseabco.com
Phone: (606) 223-2804
Fax: (606) 223-2807

