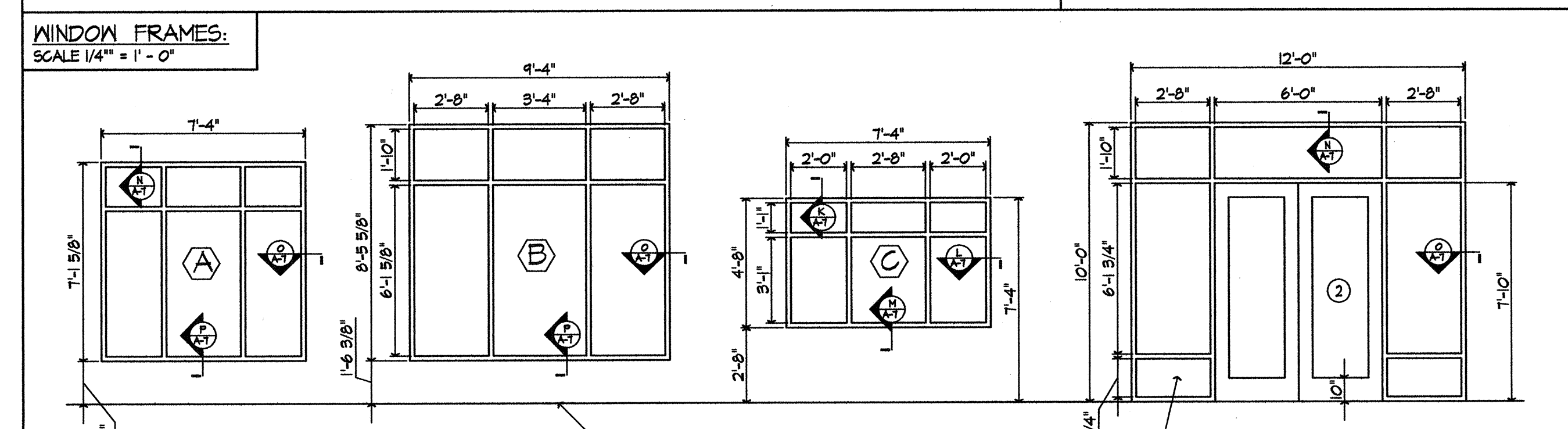
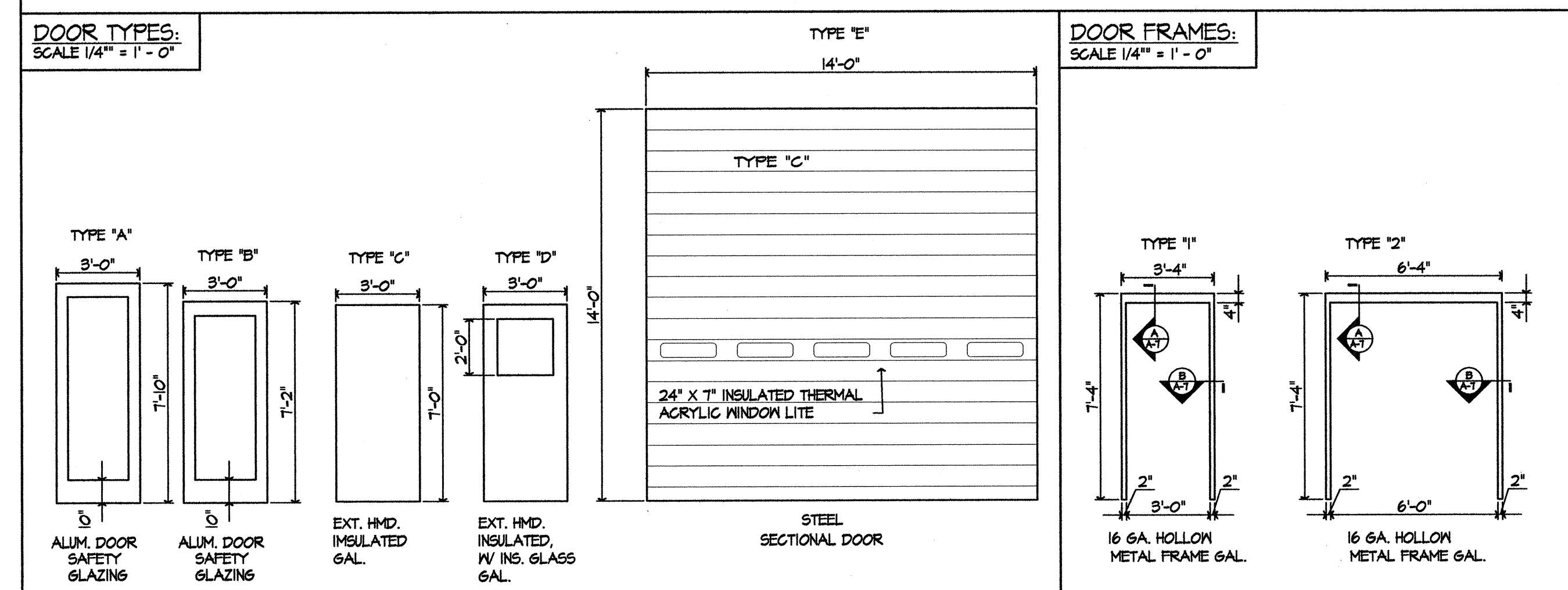


DOOR SCHEDULE, FIRST FLOOR

DOOR NO.	TYPE	MATERIAL	WIDTH	HEIGHT	THICK.	FRAME			REMARKS	
						TYPE	HEAD	JAMB		SILL
1	B	ALUM.	3'-0"	7'-0"	---	---	G	H	J	STOREFRONT FRAME
2 FR.	A	ALUM.	3'-0"	7'-0"	1 3/4"	---	---	---	---	
3	B	ALUM.	3'-0"	7'-0"	1 3/4"	---	G	H	J	
4	C	H.M.	3'-0"	7'-0"	1 3/4"	1	A	B	C	
5	C	H.M.	3'-0"	7'-0"	1 3/4"	1	A	B	C	
6	E	---	14'-0"	14'-0"	---	---	E	F	---	
7	C	H.M.	3'-0"	7'-0"	1 3/4"	1	A	D	C	
8 FR.	D	H.M.	3'-0"	7'-0"	1 3/4"	2	A	B	C	

SEE SPEC. SECTION 08710 FOR HARDWARE SETS



WFO = WINDOW FRAMED OPENING
FIELD VERIFY ALL WINDOW DIMENSION

FINISH FLOOR

ALL EXTERIOR WINDOWS SHALL BE CENTER GLAZED THERMAL STOREFRONT YKK MODEL YES 45TU 2' x 4-1/2' FOR 1" GLASS IN WINDOWS OR REVIEWED EQUAL. ALL GLASS GLAZED BY BUILDING CODE. ALL GLASS SHALL BE SOLARBAN R-100 (2) WITH CLEAR GLASS BY PFG WITH FINISH YBEN DARK BRONZE, YKK, STANDARD MATTE FINISH.

CENTER GLAZED THERMAL STOREFRONT YKK MODEL YES 45TU 2' x 4-1/2' FOR 1" GLASS IN WINDOWS OR REVIEWED EQUAL.

ALL ALUM DOORS, SHALL BE YKK AP SERIES 350 MEDIUM ENTRANCE DOOR, FINISH YBEN DARK BRONZE, STANDARD MATTE WITH NON INSULATED GLASS. SOLARBAN R-100 (2) WITH CLEAR GLASS BY PFG OR EQUAL.

ALL GLASS GLAZED BY CODE

**SPECULATIVE BUILDING
MMRC
DEVELOPMENT AUTHORITY**

PROJECT NO. 2054-30

DESIGNED BY MSF
DRAWN BY MSF
CHECKED BY MSF
REVIEWED BY MSF
DATE OCT. 2011
SCALE AS NOTED

BY
DATE
REVISION

DESIGN DOCUMENTS: Review and all responsibility and liability for problems which arise from failure to follow these plans, specifications and the design team's work.

COPYRIGHT © 2011 MSF Architects, Inc. All rights reserved. No part of this document may be reproduced or transmitted in any form or by any means, electronic or mechanical, including photocopying, recording, or by any information storage and retrieval system, without the prior written permission of MSF Architects, Inc.

MSF
OF KENTUCKY, INC.

Engineers
Architects
Planners

Phone: (609) 225-5694
Fax: (609) 225-2607
www.msfa.com

624 Wellington Way
Lexington, KY 40503

DRAWING NO.
A-7
SHEET OF