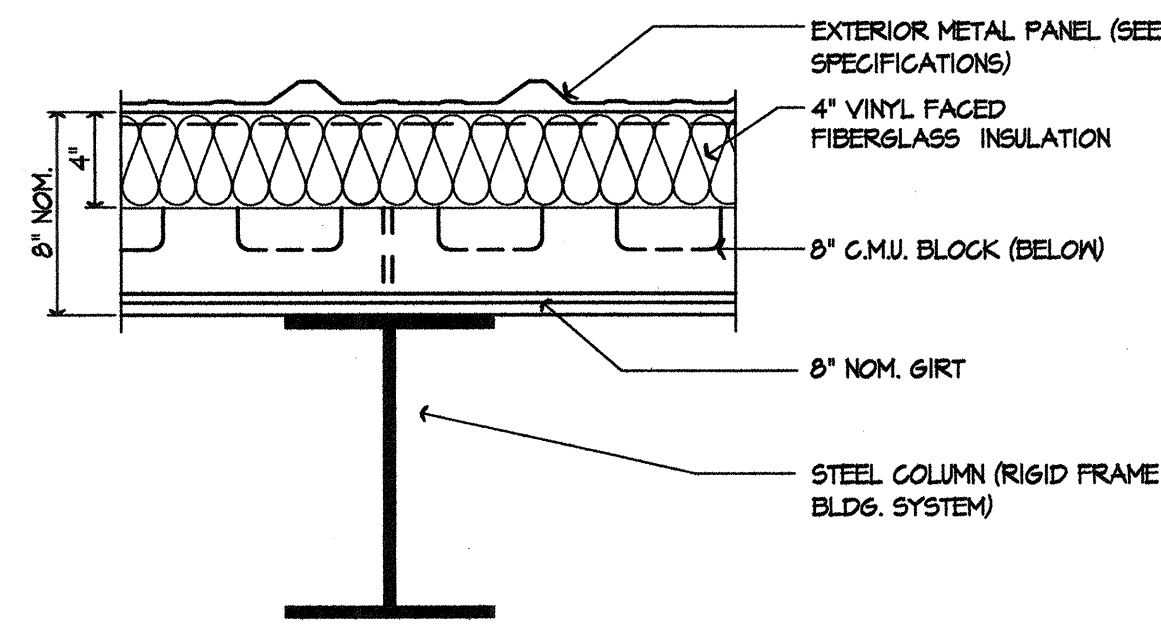


CONTROL JOINT DETAIL

SCALE: 1 1/2" = 1' - 0"

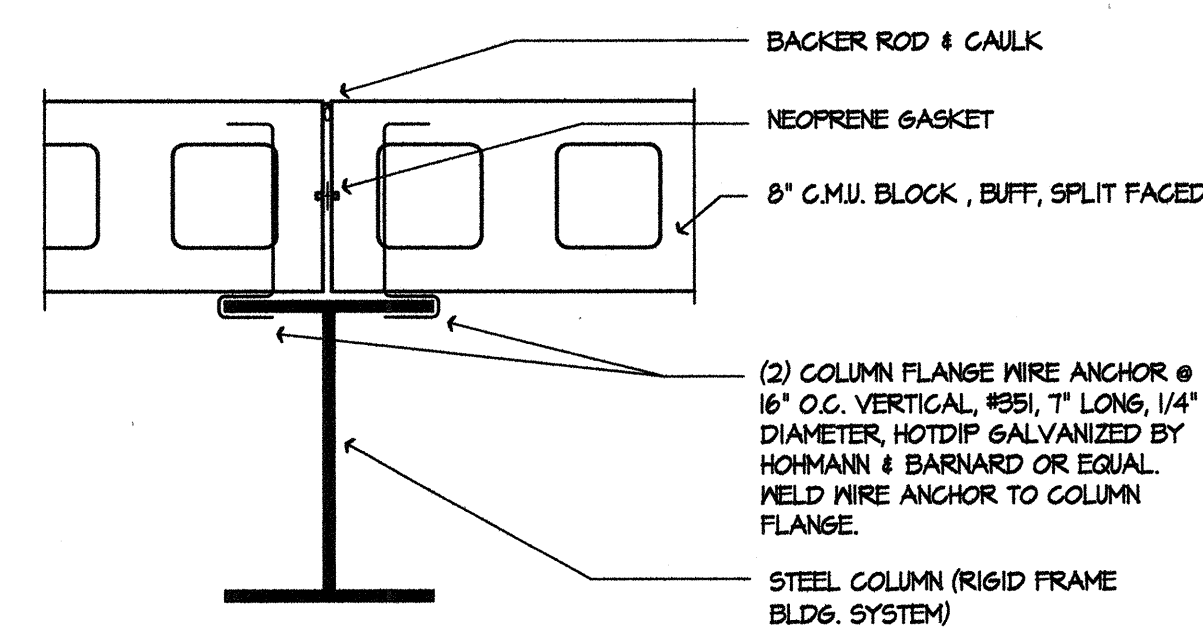
D
A-5



CONTROL JOINT DETAIL

SCALE: 1 1/2" = 1' - 0"

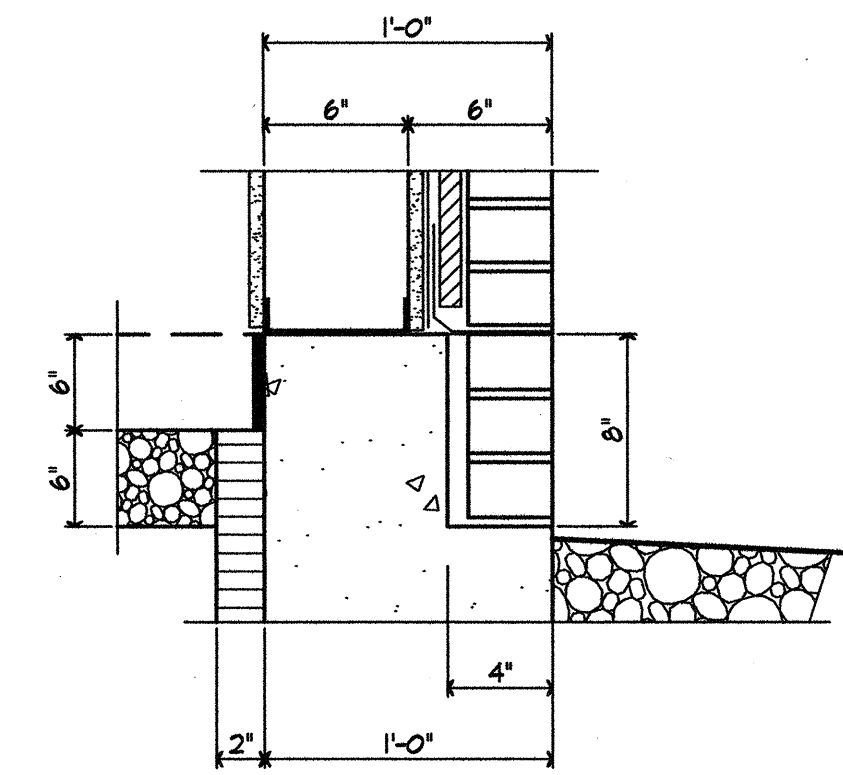
E
A-5



COLUMN TIES DETAIL

SCALE: 1 1/2" = 1' - 0"

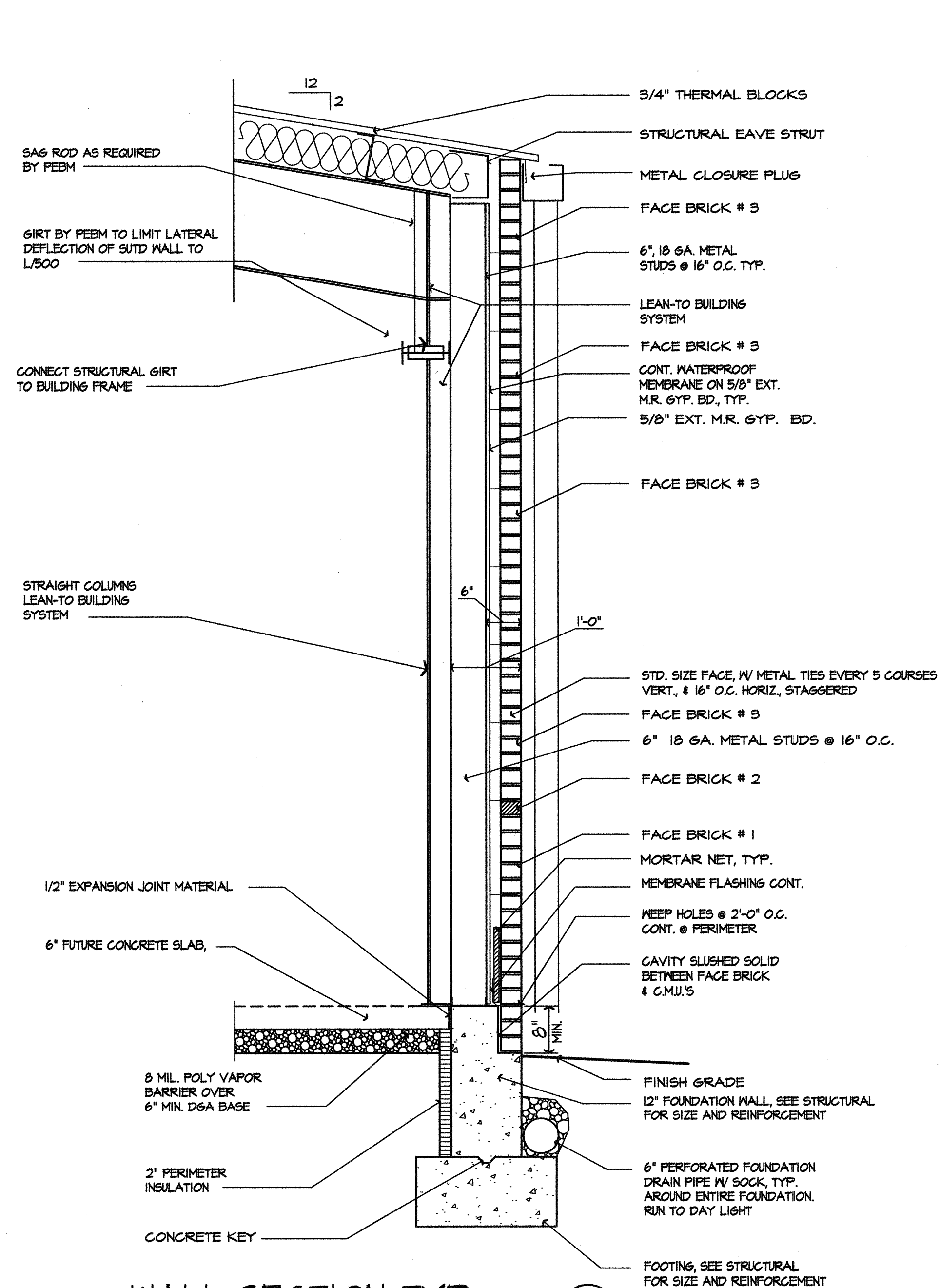
F
A-5



DIMENSIONAL RELATIONSHIP

SCALE: 1 1/2" = 1' - 0"

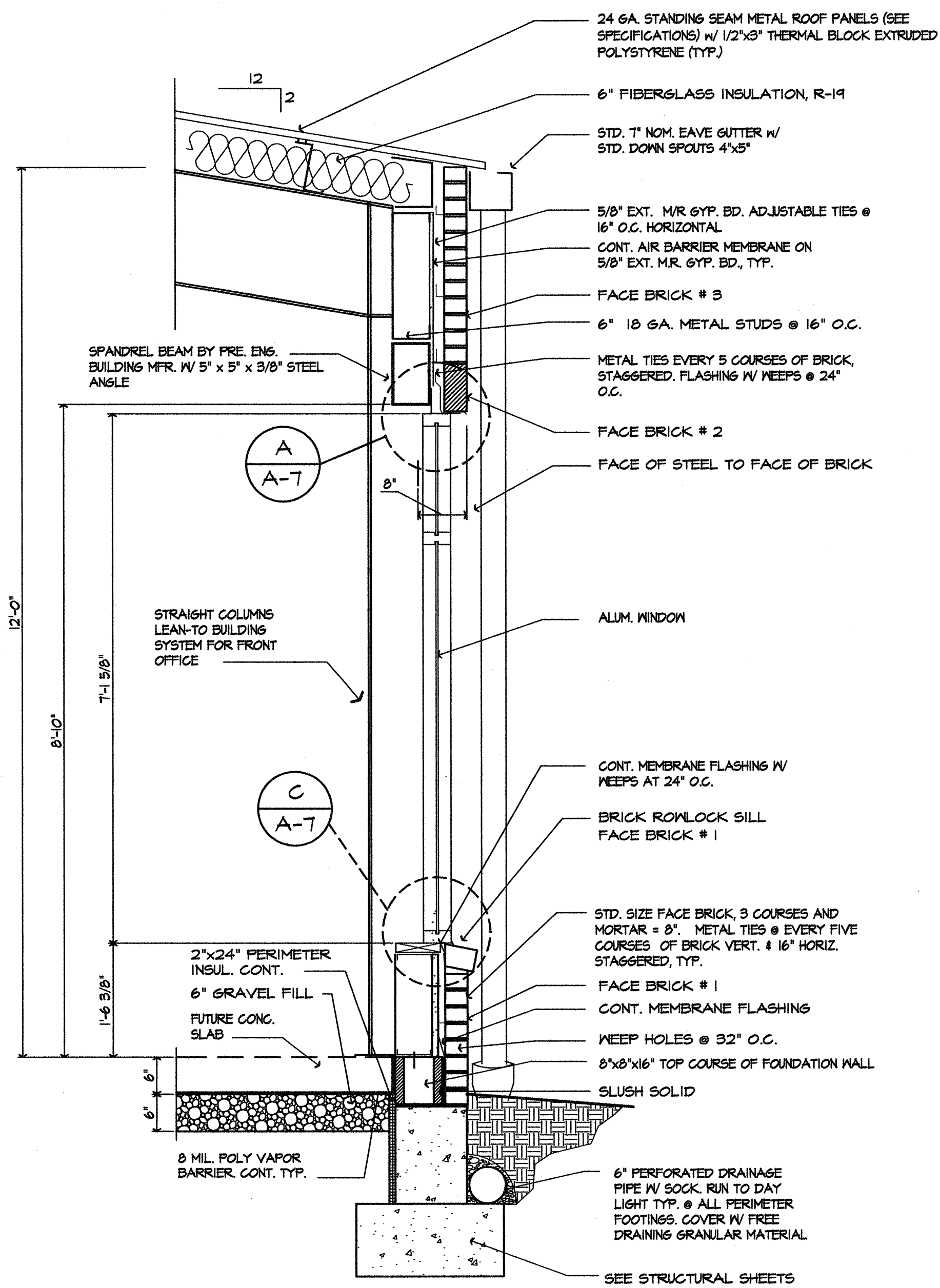
G
A-5



WALL SECTION TYP.

SCALE: 3/4" = 1' - 0"

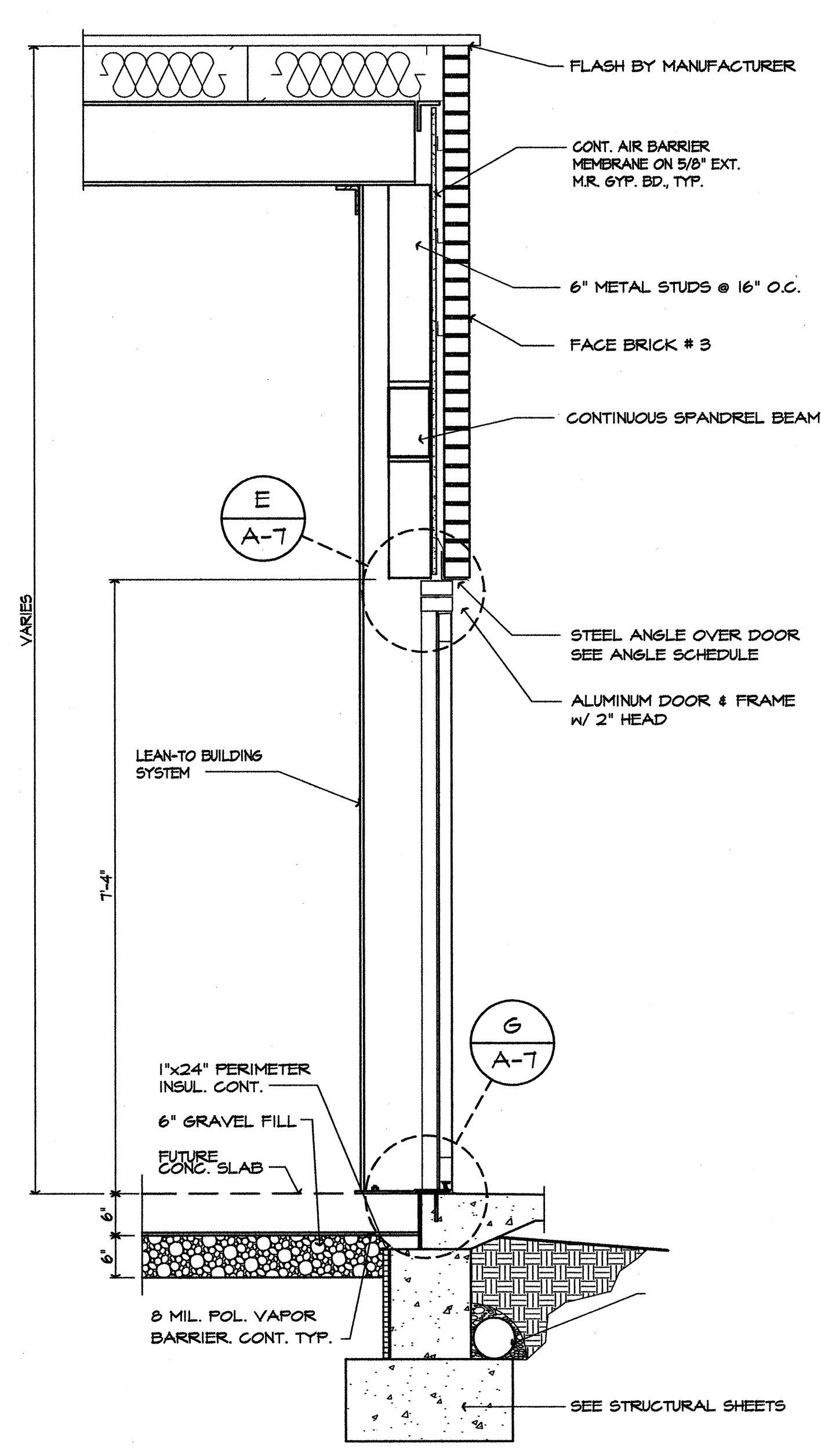
A
A-5



WALL SECTION @ OFFICE

SCALE: 3/4" = 1' - 0"

B
A-5



WALL SECTION @ OFFICE

SCALE: 3/4" = 1' - 0"

C
A-5



SPECULATIVE BUILDING
MMRC
DEVELOPMENT AUTHORITY

DATE	REVISION	BY

PROJECT NO. 2054-30	DESIGNED BY MSF	DRAWN BY MSF	CHECKED BY MSF	REVIEWED BY MSF	DATE OCT. 2011	SCALE AS NOTED
---------------------	-----------------	--------------	----------------	-----------------	----------------	----------------

MS&E
OF KENTUCKY, INC.
Engineers
Architects
Planners
624 Wellington Way
Lexington, KY 40503
Phone: (859)223-5894
Fax: (859)223-2807
www.ms&e.com

DRAWING NO.

A-5

SHEET OF