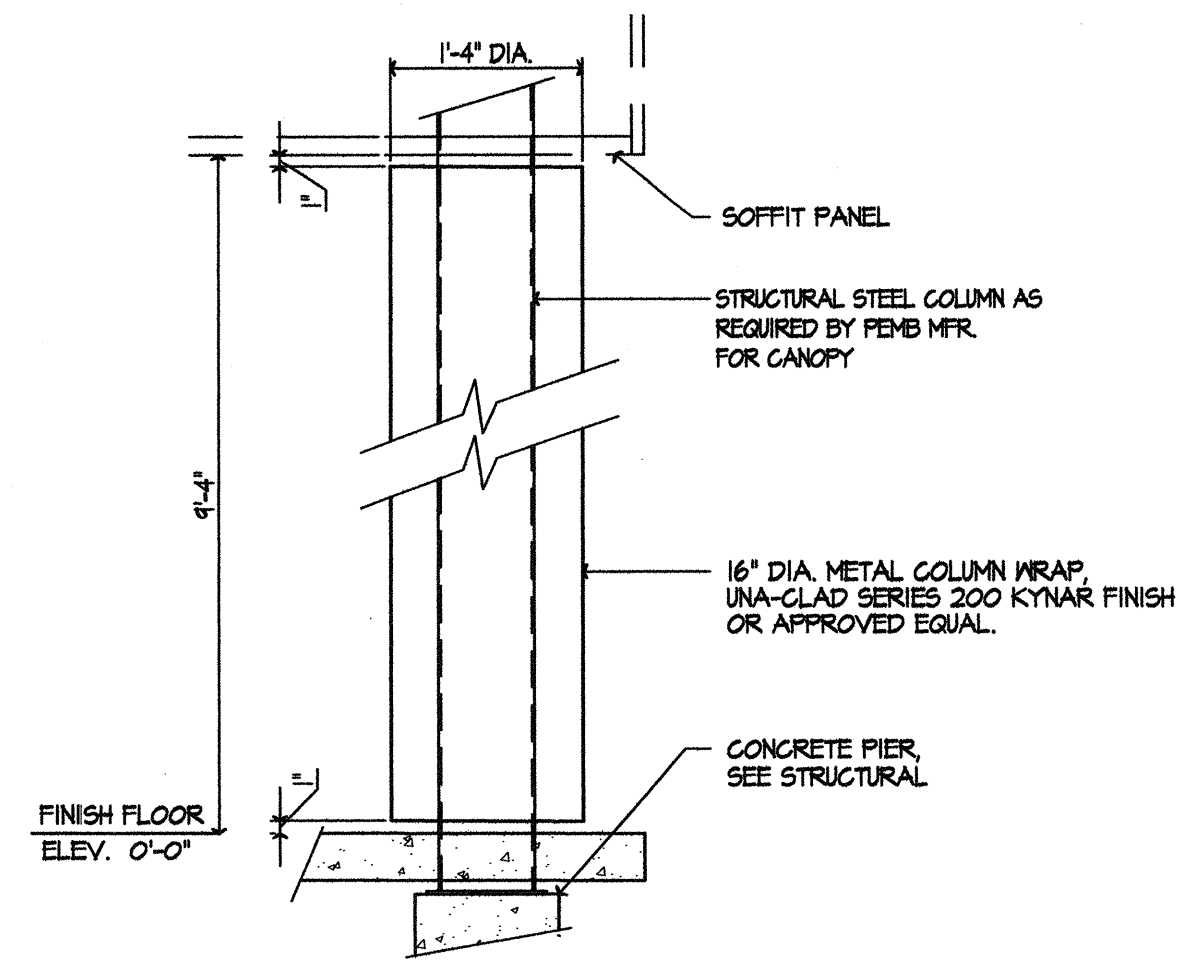


TUBE STEEL & STEEL ANGLE
STRUCTURAL HEAD DETAIL

SCALE: 1/2" = 1'-0"

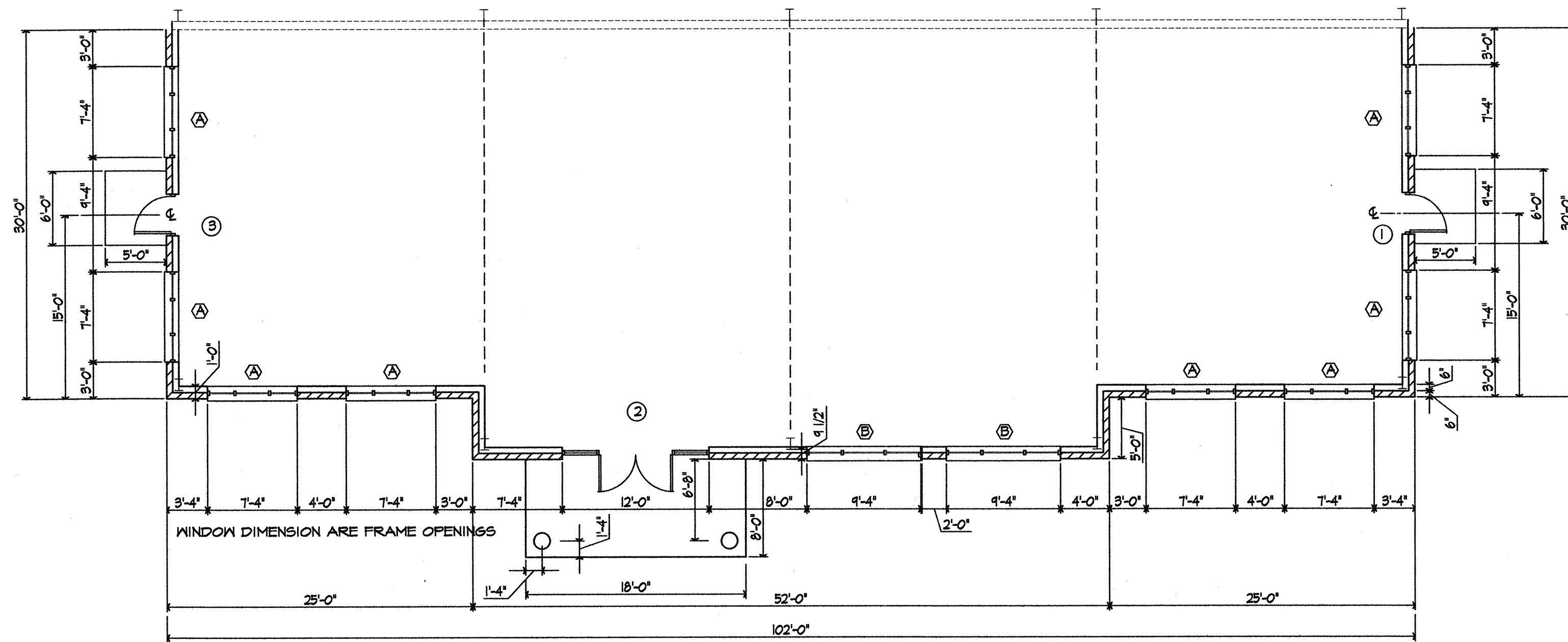
E
A-2



(@ CONG. PAD LOCATIONS)
COLUMN WRAP DETAIL

SCALE: 3/4" = 1'-0"

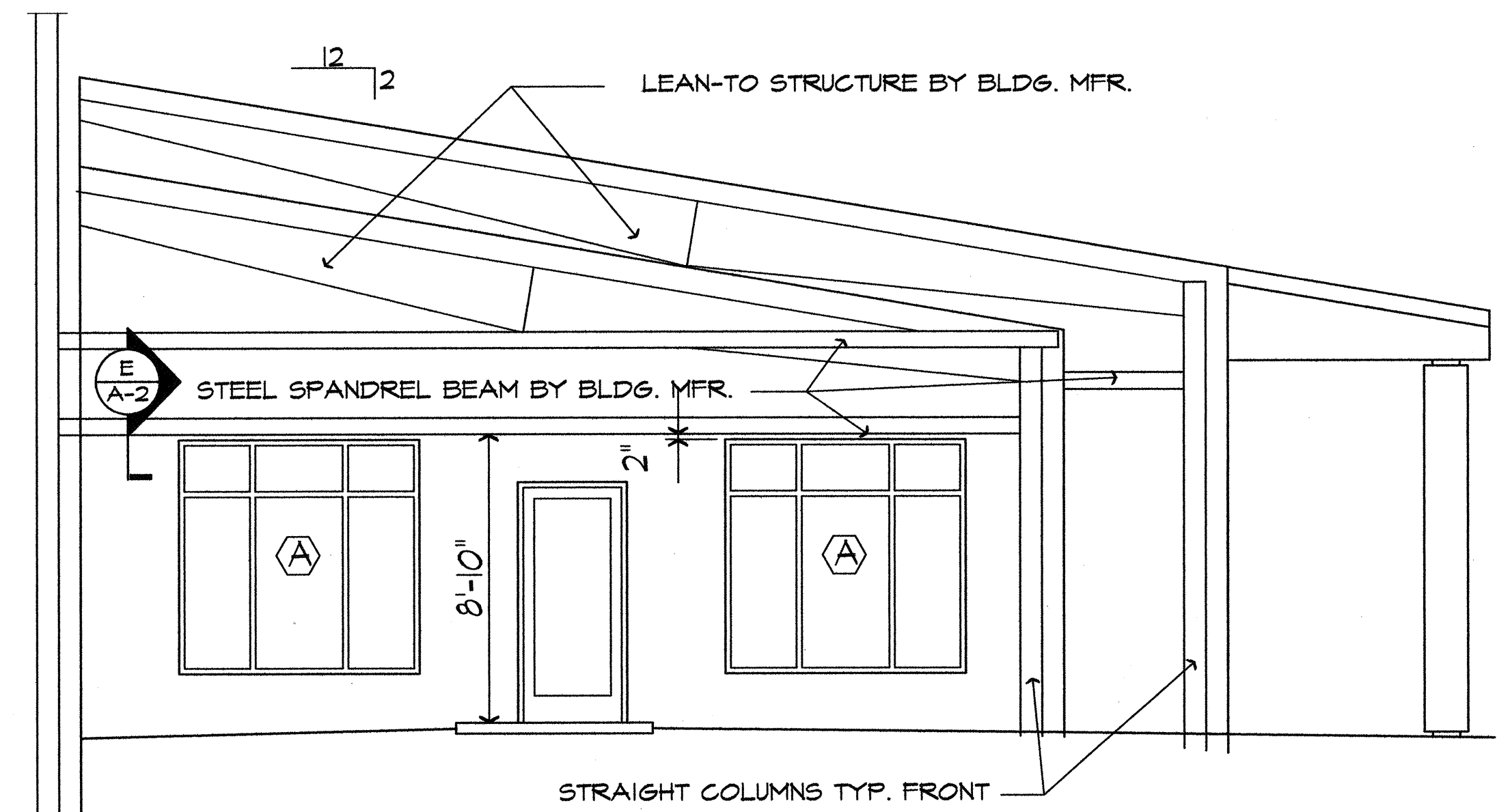
A
A-2



OFFICE PLAN

SCALE: 1/8" = 1'-0"

B
A-2

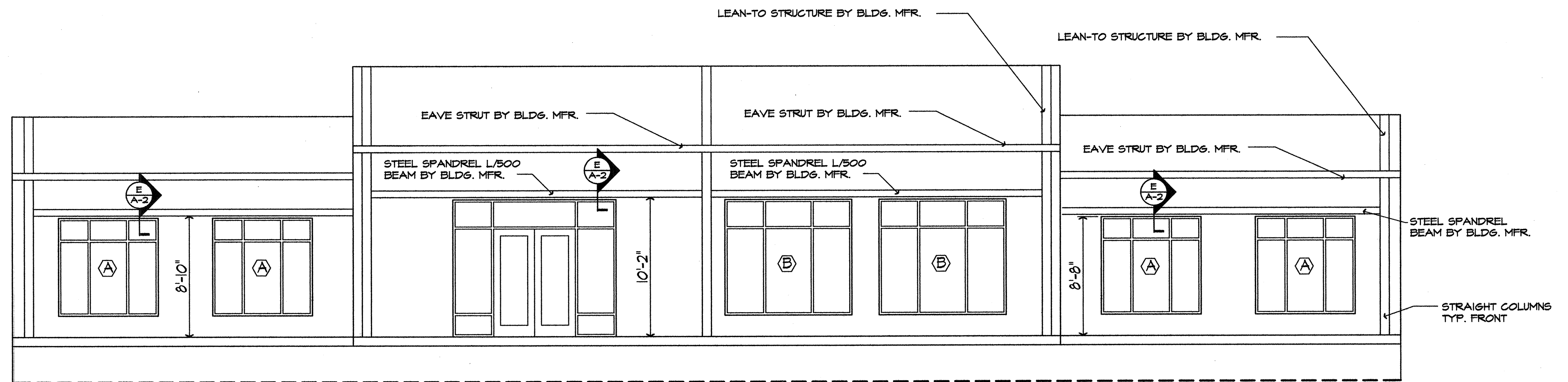


OFFICE SIDE
STRUCTURAL ELEVATION

SCALE: 3/16" = 1'-0"

C
A-2

STRUCTURAL COLUMNS &
HEADERS TO BE 2" CLEAR
(MIN.) OF ALUMINUM WINDOW
FRAMES.

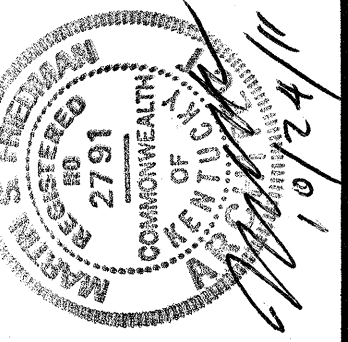


OFFICE FRONT
STRUCTURAL ELEVATION

SCALE: 3/16" = 1'-0"

D
A-2

STRUCTURAL COLUMNS &
HEADERS TO BE 2" CLEAR
(MIN.) OF ALUMINUM WINDOW
FRAMES.



SPECULATIVE BUILDING
MMRC
DEVELOPMENT AUTHORITY

DATE	REVISION	BY

DESIGN DOCUMENTS: The user may not all responsibility and liability for problems which arise from failure to follow these plans, specifications and the design team's work.

COPYRIGHT © 2011 M&E OF KENTUCKY, INC. All rights reserved. No part of this document may be reproduced, stored in a retrieval system, or transmitted in any form or by any means, electronic, mechanical, photocopying, recording, or by any information storage and retrieval system, without the prior written permission of M&E of Kentucky, Inc.

PROJECT NO. 2054-30	DESIGNED BY MGF	DRAWN BY MGF	CHECKED BY MGF	REVIEWED BY	DATE	SCALE
					OCT. 2011	AS NOTED

Engineers
Architects
Planners

M&E
OF KENTUCKY, INC.

624 Wellington Way
Lexington, KY 40503
www.mseinc.com

Phone: (859) 223-5684
Fax: (859) 223-2807

DRAWING NO.

A-2

SHEET OF