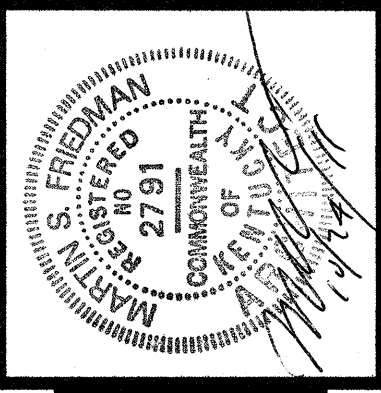
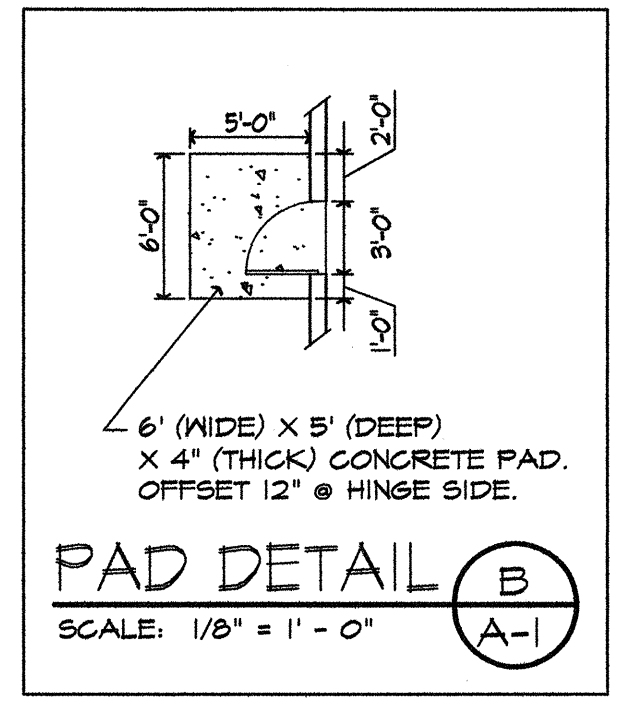


FLOOR PLAN
 SCALE: 1/16" = 1' - 0"
 45,000 S.F. MAIN BLDG.
 9,320 S.F. OFFICE
 TOTAL 48,320 S.F.

NOTE:
 ALL METAL STUDS AT FRONT OFFICE
 SHALL BE 18 GA. CSW, 2" FLANGE
 W/ 5/8" RETURN - 93KS!



**SPECULATIVE BUILDING
 MMRC
 DEVELOPMENT AUTHORITY**

DATE	REVISION	BY

PROJECT NO. 2054-90
 DESIGNED BY MGF/BLL
 DRAWN BY BLL
 CHECKED BY MGF
 REVIEWED BY MGF
 DATE OCT. 2011
 SCALE AS NOTED

DESIGN DOCUMENTS:
 The design professional warrants and accepts all responsibility and liability for problems which arise from failure to follow these plans, specifications and the design intent they convey.
 This document discloses subject matter considered confidential by MBE of Kentucky, Inc. and on which MBE of Kentucky, Inc. has a right to privacy. It is to be used only for the project and site identified herein. No part of this document is to be reproduced, stored in a retrieval system, or to be used for any purpose without the written permission of MBE of Kentucky, Inc.

nse
OF KENTUCKY, INC.
 Engineers
 Architects
 Planners

624 Wellington Way
 Lexington, KY 40503
 Phone: (859)223-5684
 Fax: (859)223-2687
 www.nselex.com