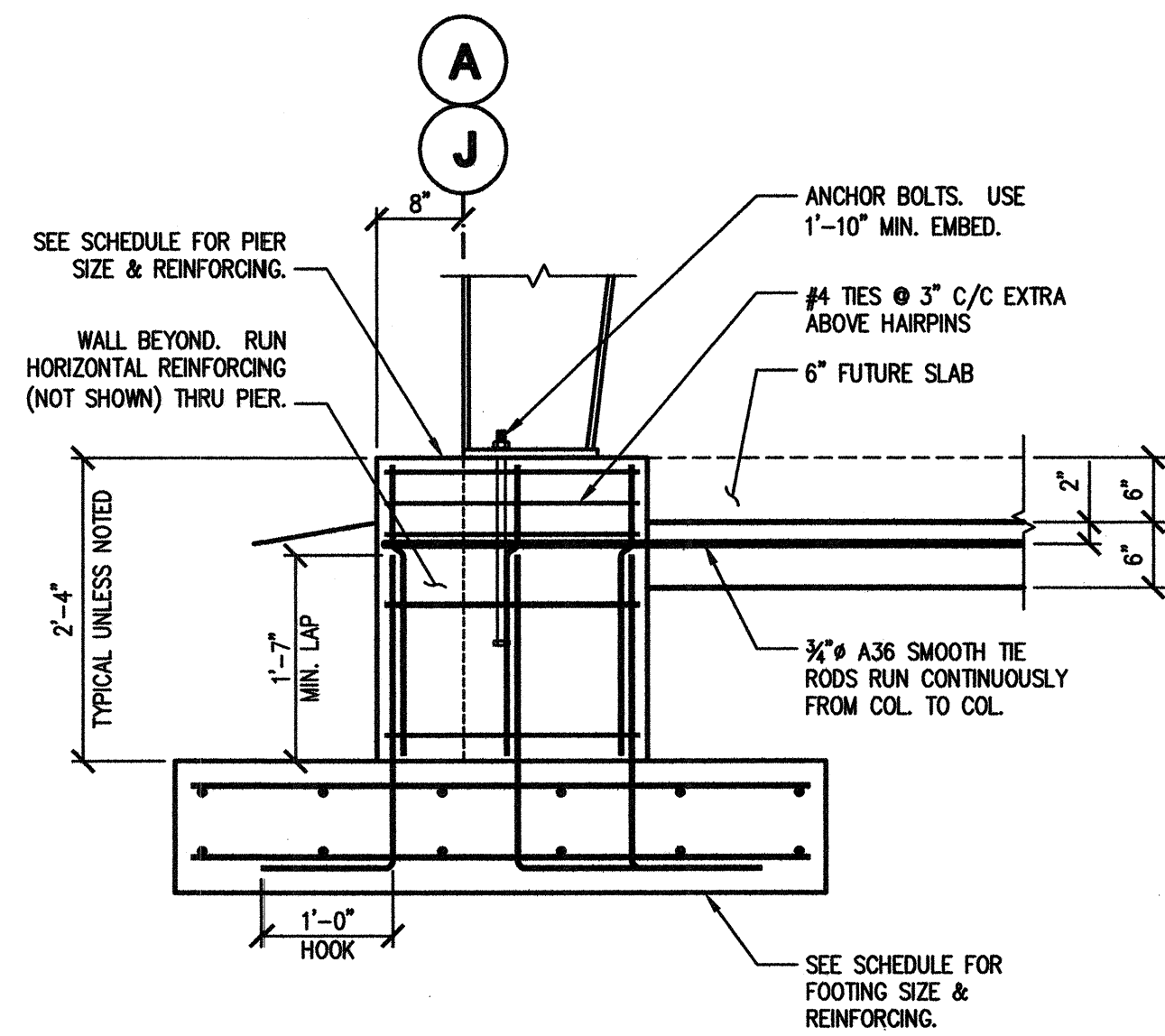
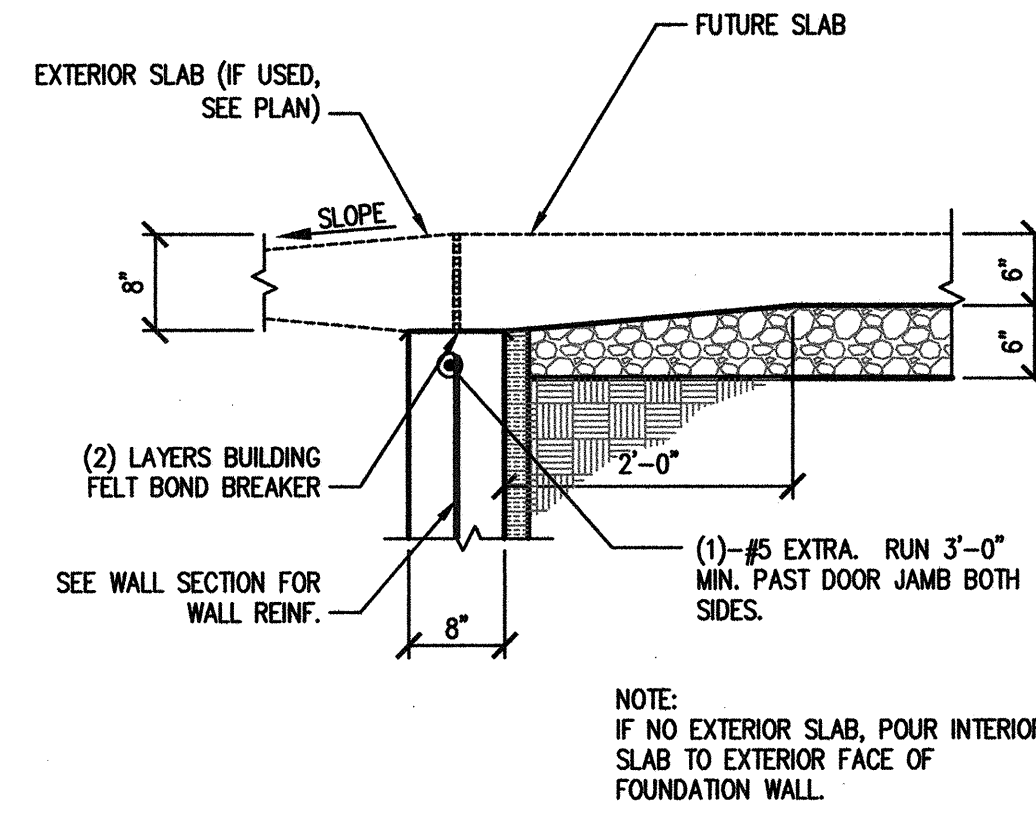


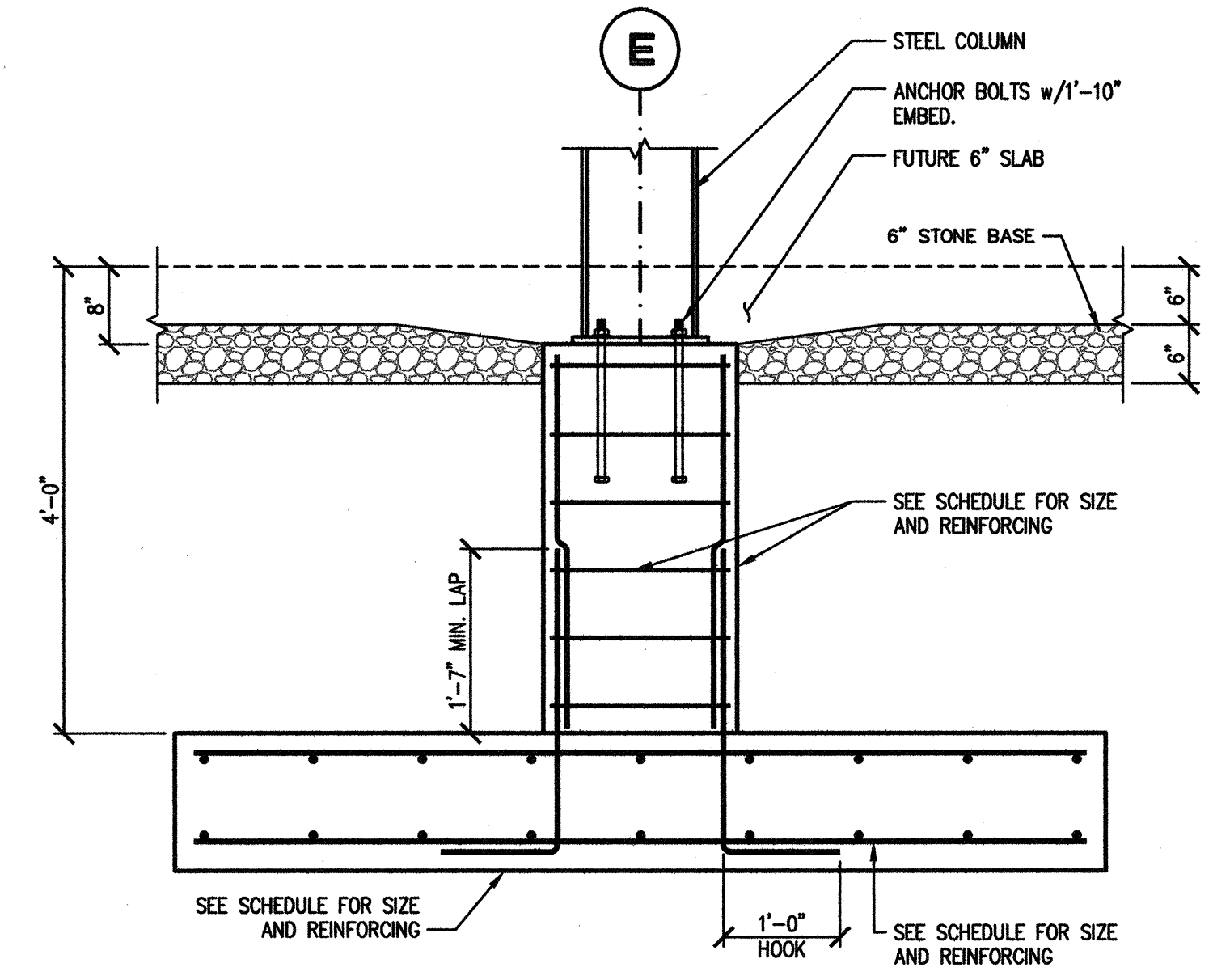
1 SECTION
S-2.2 SCALE: 3/4" = 1'-0" TYPICAL EXTERIOR FOUNDATION WALL



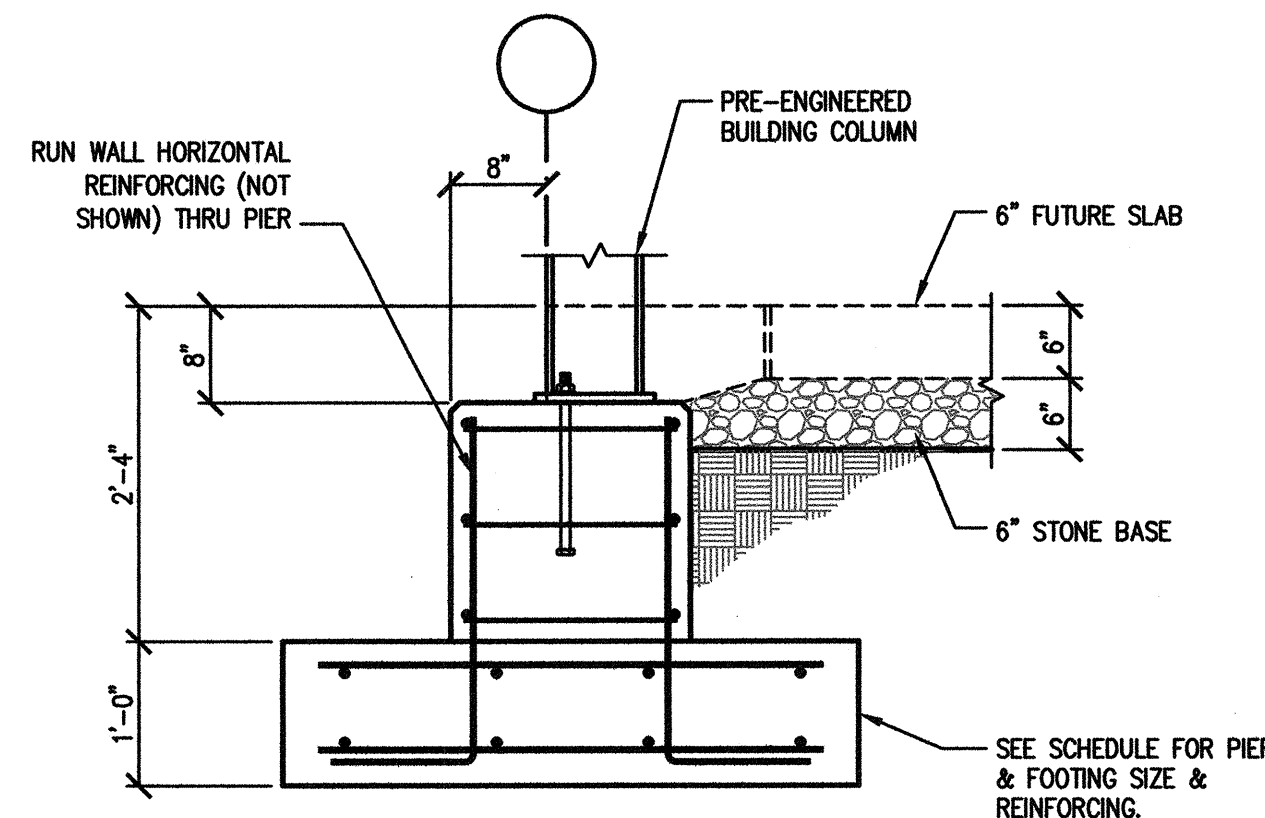
2 SECTION
S-2.2 SCALE: 3/4" = 1'-0" TYPICAL EXTERIOR WALL FOUNDATION AT DOOR LOCATIONS



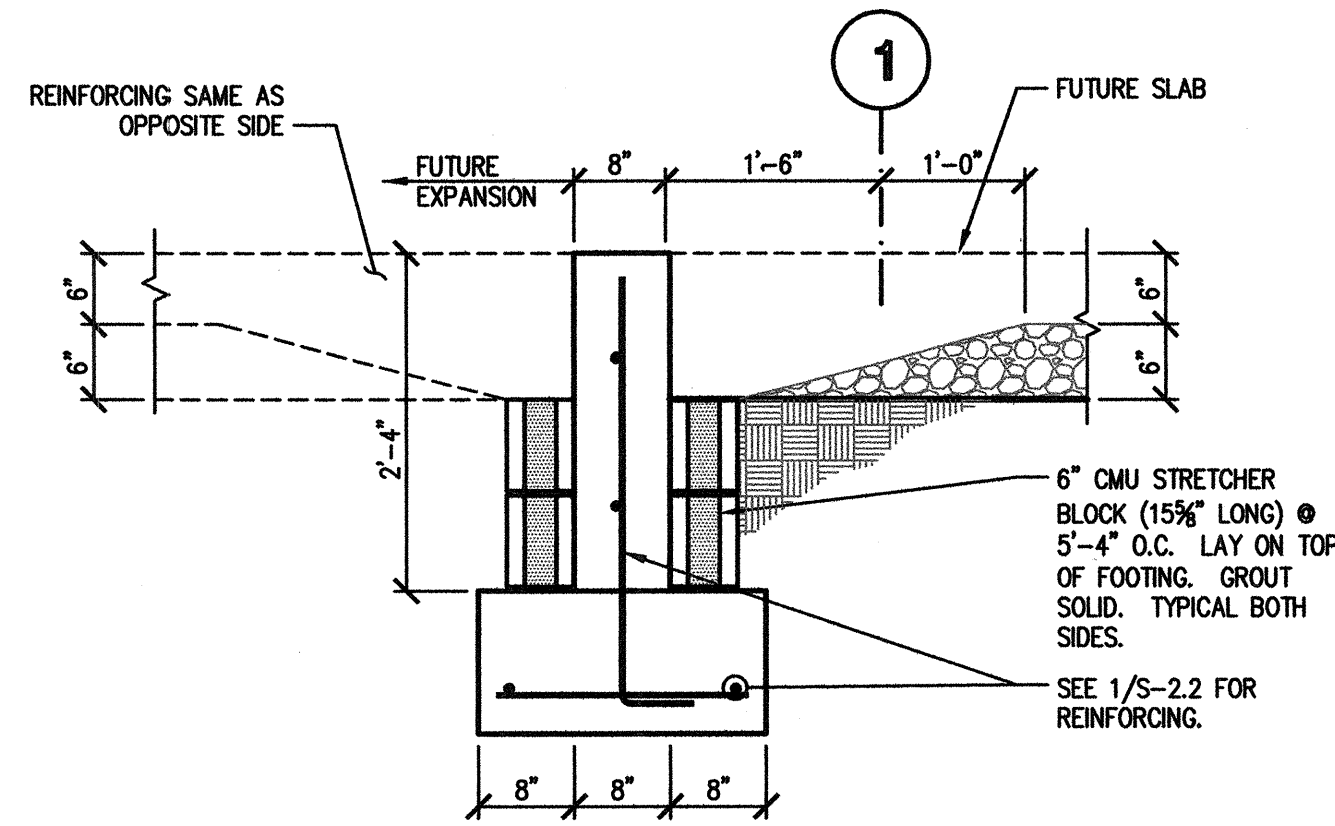
3 SECTION
S-2.2 SCALE: 3/4" = 1'-0" TYPICAL EXTERIOR WALL FOUNDATION AT OFFICE



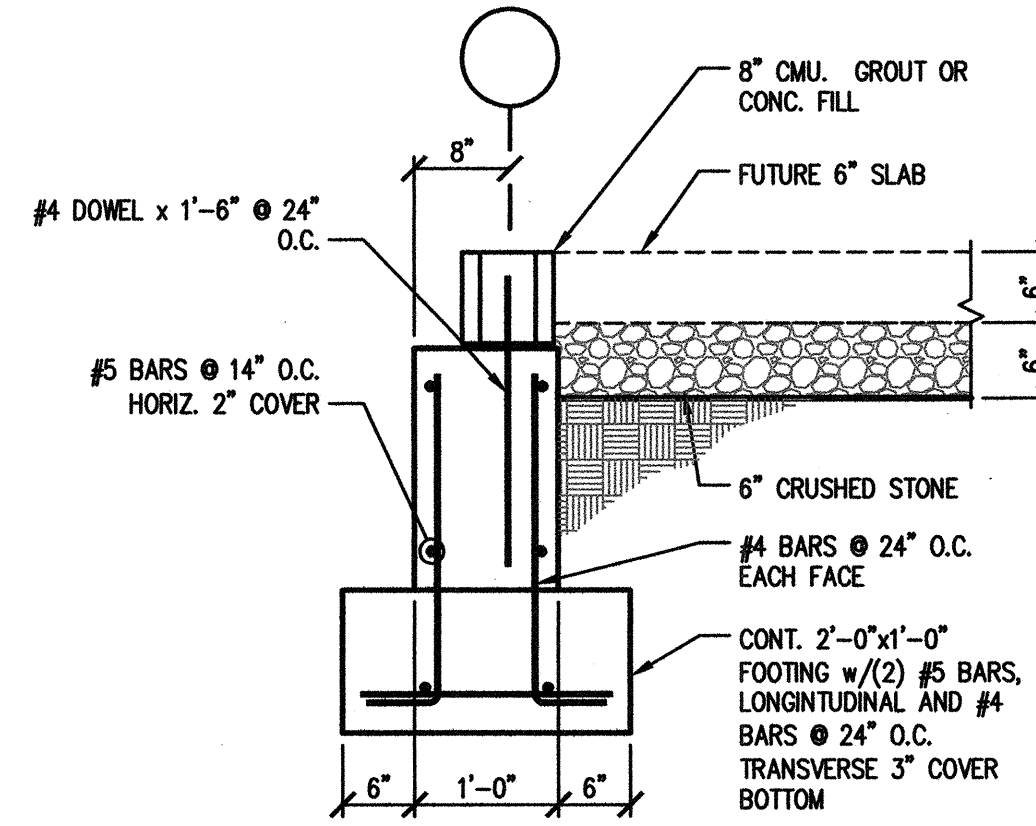
4 SECTION
S-2.2 SCALE: 3/4" = 1'-0" TYPICAL INTERIOR FOOTING AND PIER



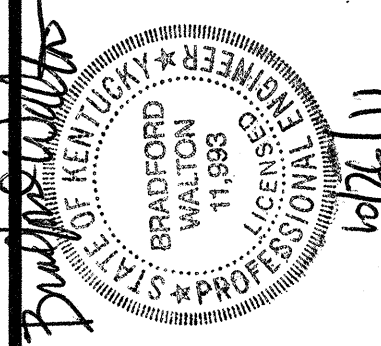
5 SECTION
S-2.2 SCALE: 3/4" = 1'-0" TYPICAL OFFICE COLUMN PIER SECTION



6 SECTION
S-2.2 SCALE: 3/4" = 1'-0" EDGE OF FLOOR SLAB SUPPORT AT EXPANDABLE WALL



7 SECTION
S-2.2 SCALE: 3/4" = 1'-0" TYPICAL EXTERIOR FOUNDATION WALL AT OFFICE



SPECULATIVE BUILDING DEVELOPMENT AUTHORITY
MMRC

DATE	REVISION	BY

DESIGN DOCUMENTS: These drawings are prepared by the engineer and are subject to the engineer's professional seal and signature. The engineer is not responsible for any errors or omissions in these drawings or for any consequences arising therefrom. The engineer is not responsible for any consequences arising from the use of these drawings for any purpose other than that for which they were prepared.

PROJECT NO. BM	DESIGNED BY BM	DRAWN BY ML	CHECKED BY MSF	DATE OCTOBER 2011	SCALE AS NOTED
----------------	----------------	-------------	----------------	-------------------	----------------

Engineers Architects Planners
OF KENTUCKY, INC.
 Phone: (859) 223-8684
 Fax: (859) 223-2607
 624 Wellington Way
 Lexington, KY 40503
 www.msepa.com

BRADFORD WALTON
STRUCTURAL ENGINEER
 230 PLAZA DRIVE, SUITE #275
 LEXINGTON, KY 40503
 (859) 278-3603

DRAWING NO.
S-2.2
 SHEET OF