

**SPECULATIVE BUILDING
MMRC
DEVELOPMENT AUTHORITY**

DATE	REVISION

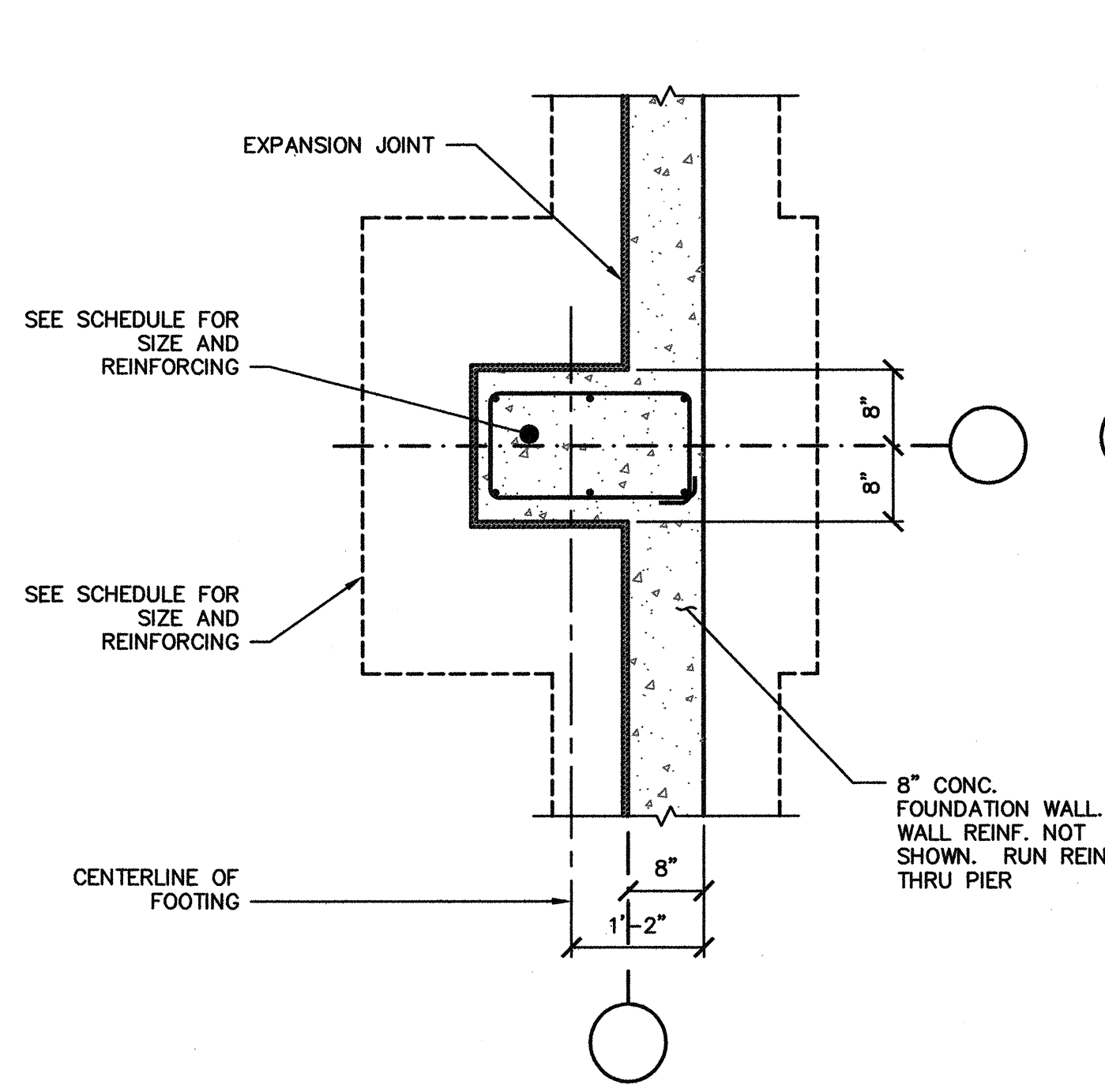
DESIGN DOCUMENTS: These drawings are prepared by the design professional and are subject to the provisions of the Professional Code of Ethics, KRS 199.001. The design professional shall be held responsible for the design and construction of the project. The design professional shall not be held responsible for the design and construction of the project if the design professional is not the design professional of record for the project. The design professional shall not be held responsible for the design and construction of the project if the design professional is not the design professional of record for the project.

PROJECT NO.	DESIGNED BY	DRAWN BY	CHECKED BY	REVIEWED BY	DATE	SCALE

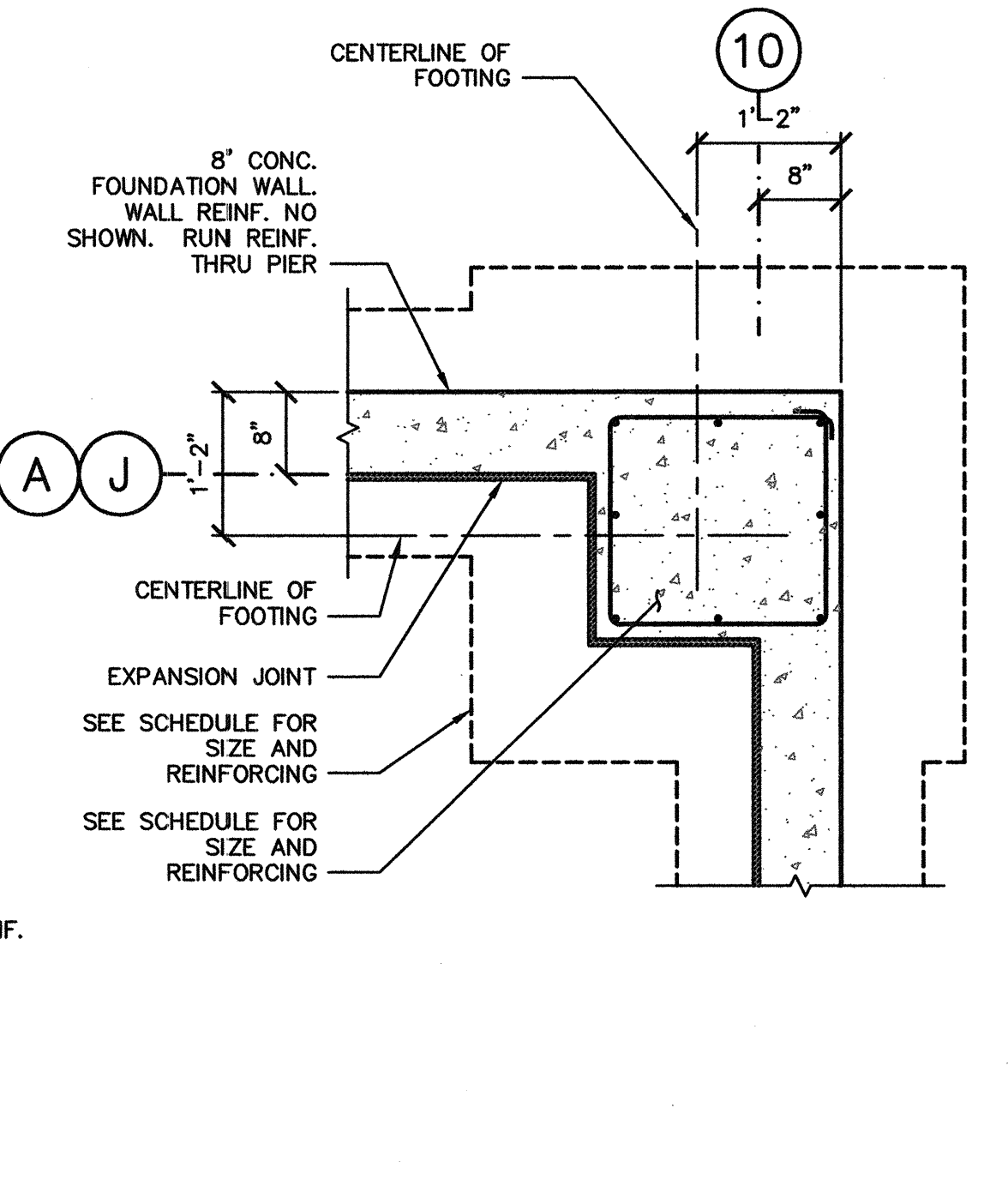
msc
OF KENTUCKY, INC.

Engineers
Architects
Planners

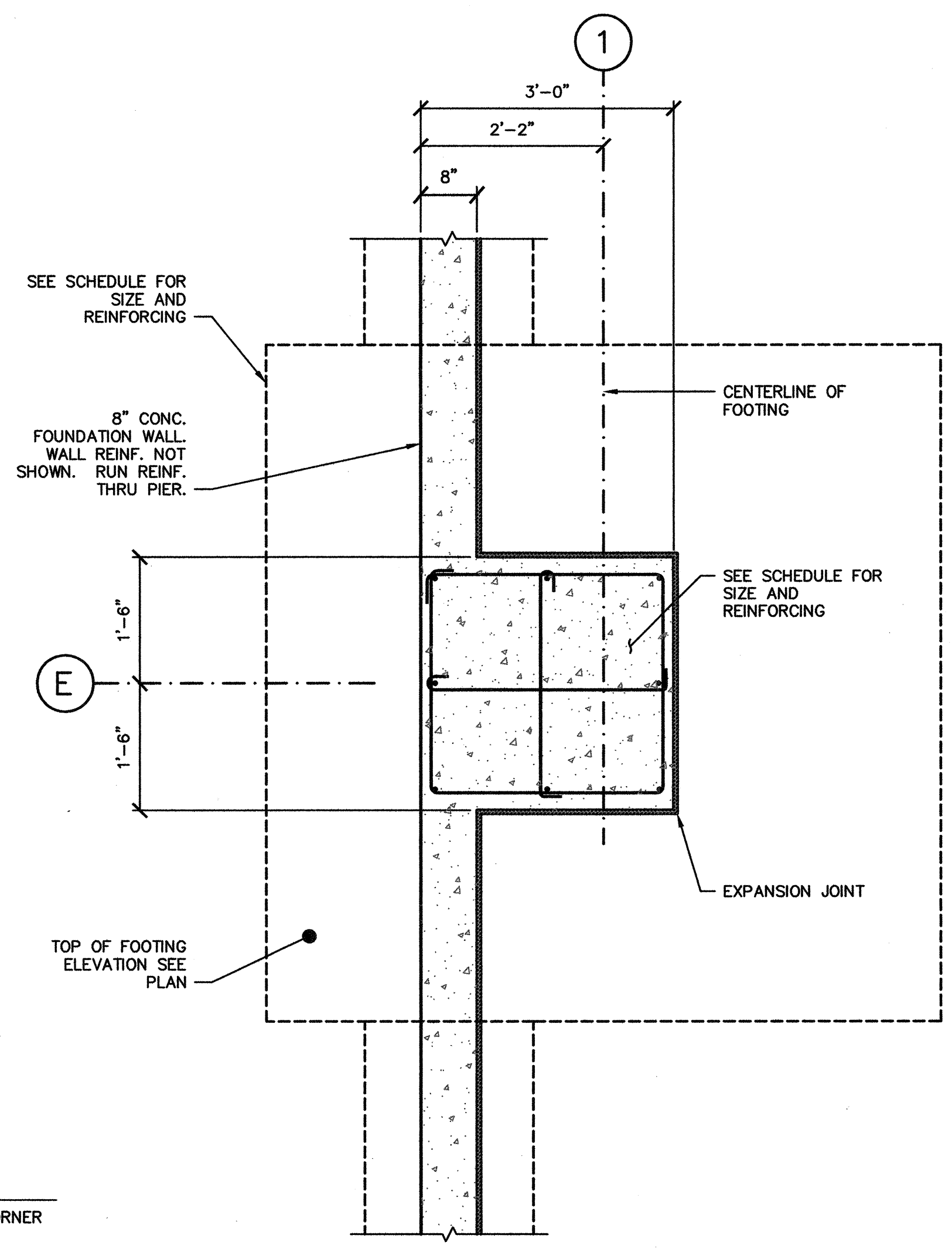
624 Wellington Way
Lexington, KY 40503
(859) 278-3603
www.mscok.com



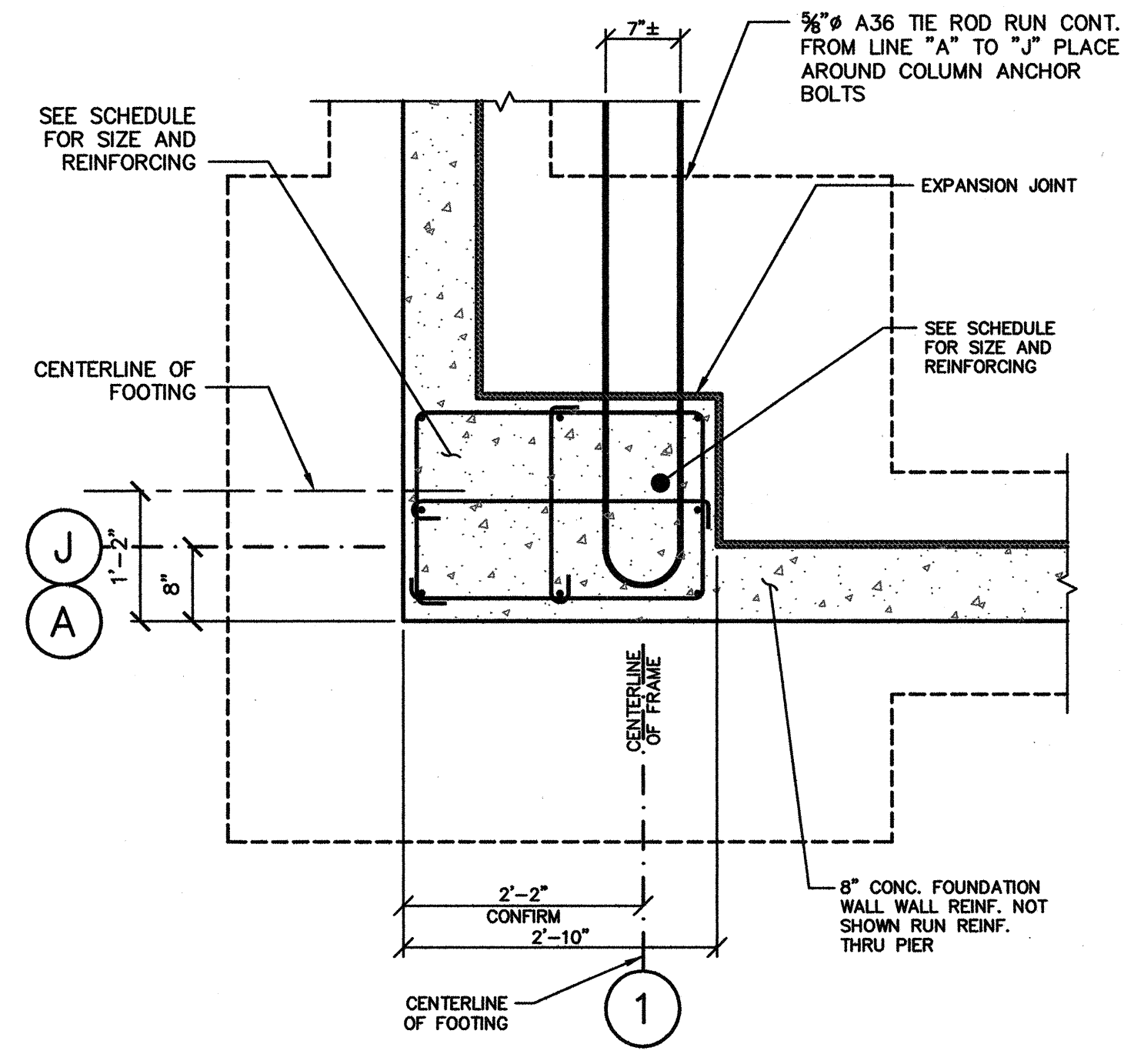
1 DETAIL
S-2.1 SCALE: 3/4" = 1'-0" TYPICAL END WALL COLUMN FOUNDATION



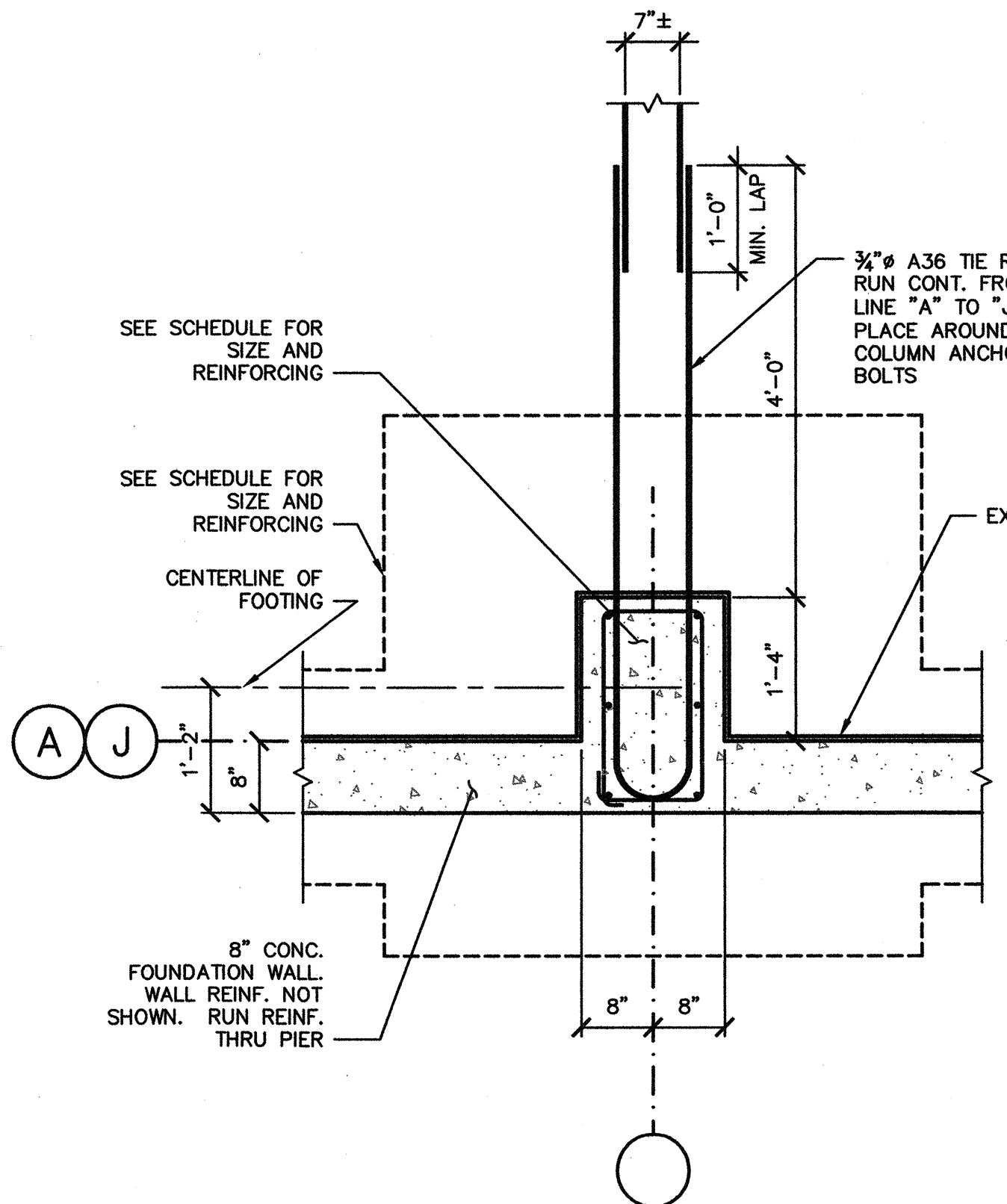
2 DETAIL
S-2.1 SCALE: 3/4" = 1'-0" TYPICAL END WALL CORNER COLUMN FOUNDATION



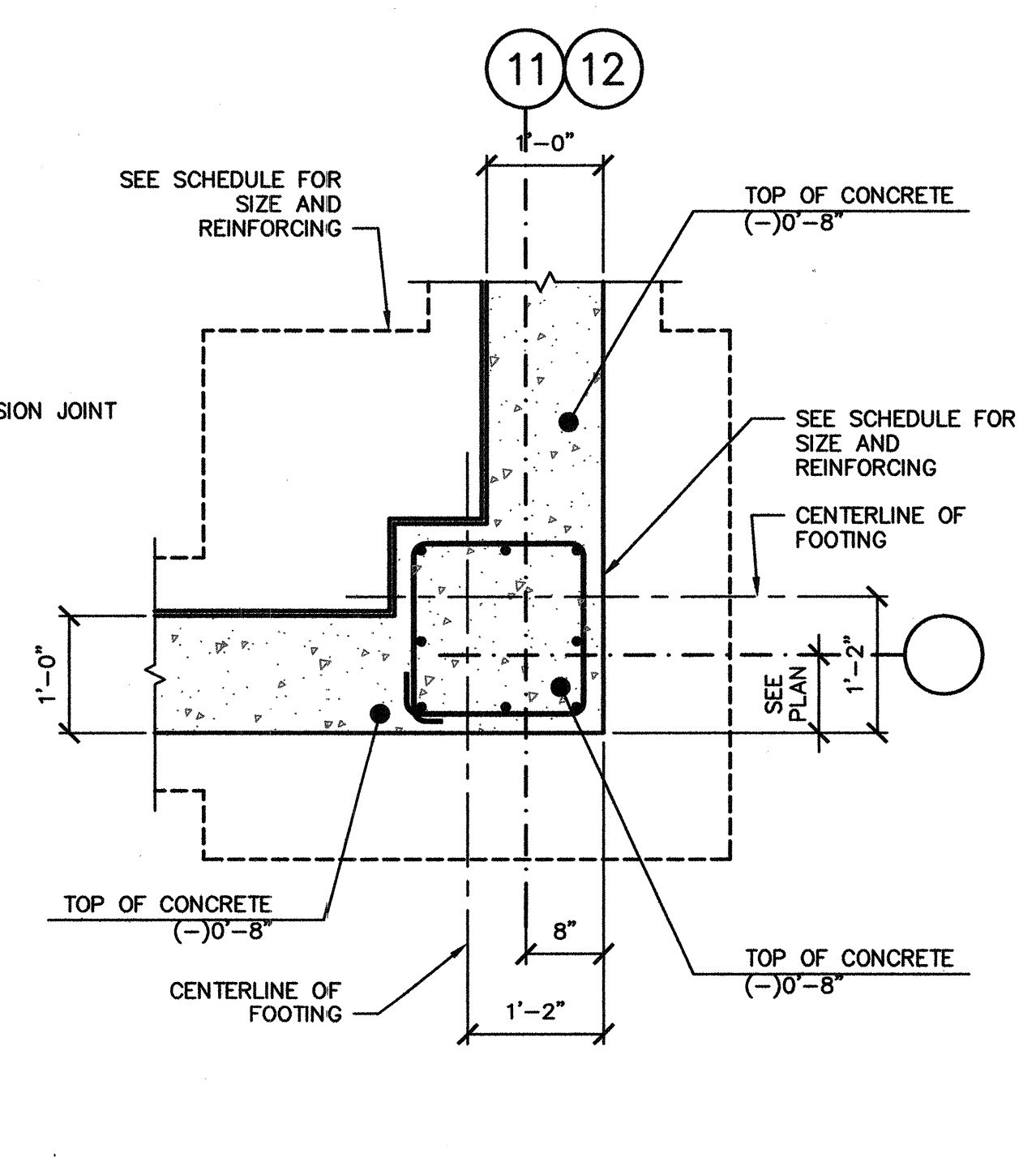
3 DETAIL
S-2.1 SCALE: 3/4" = 1'-0" TYPICAL FRAME COLUMN FOUNDATION AT EXPANDABLE WALL



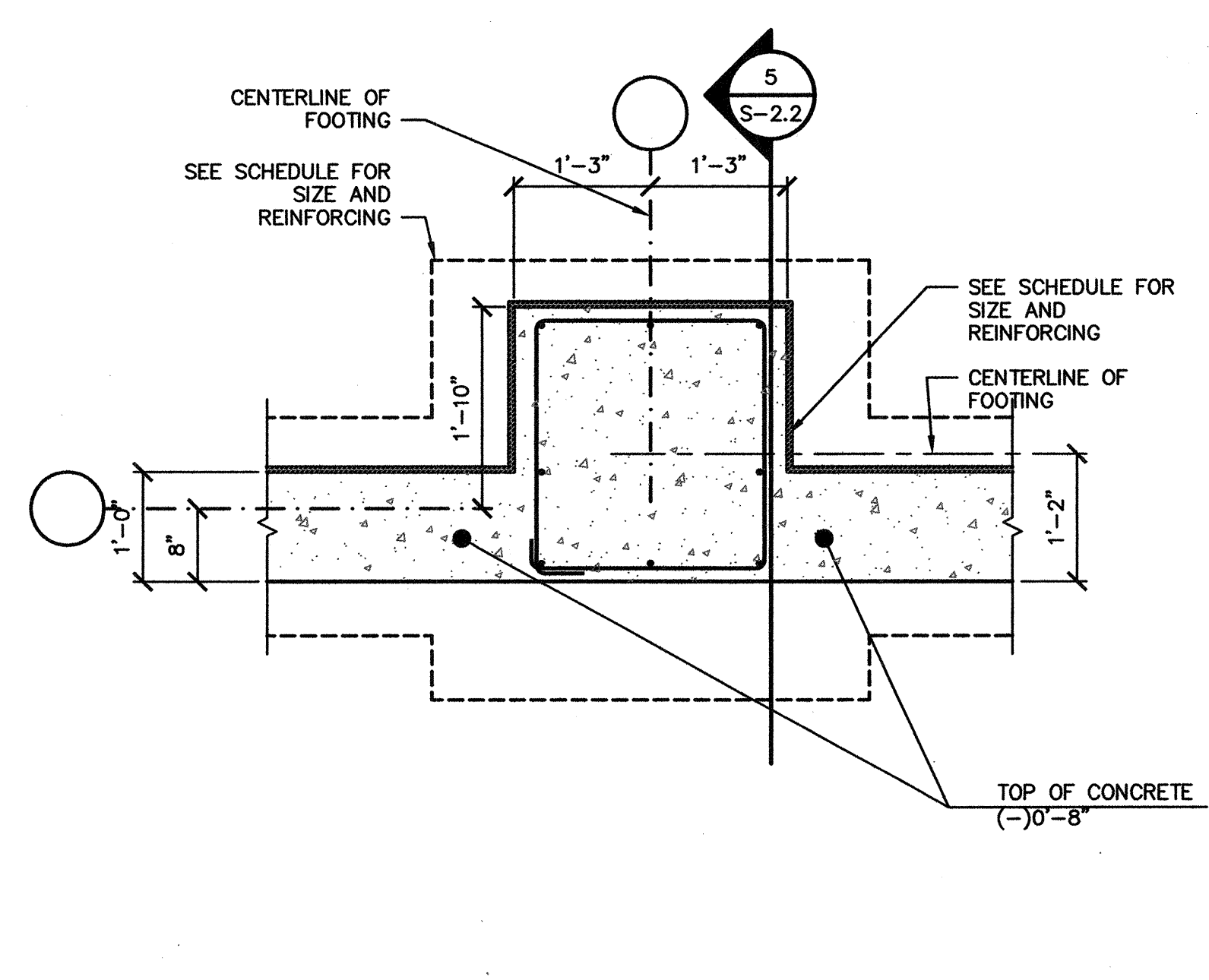
4 DETAIL
S-2.1 SCALE: 3/4" = 1'-0" SIDEWALL FRAME COLUMN FOUNDATION AT EXPANSION WALL



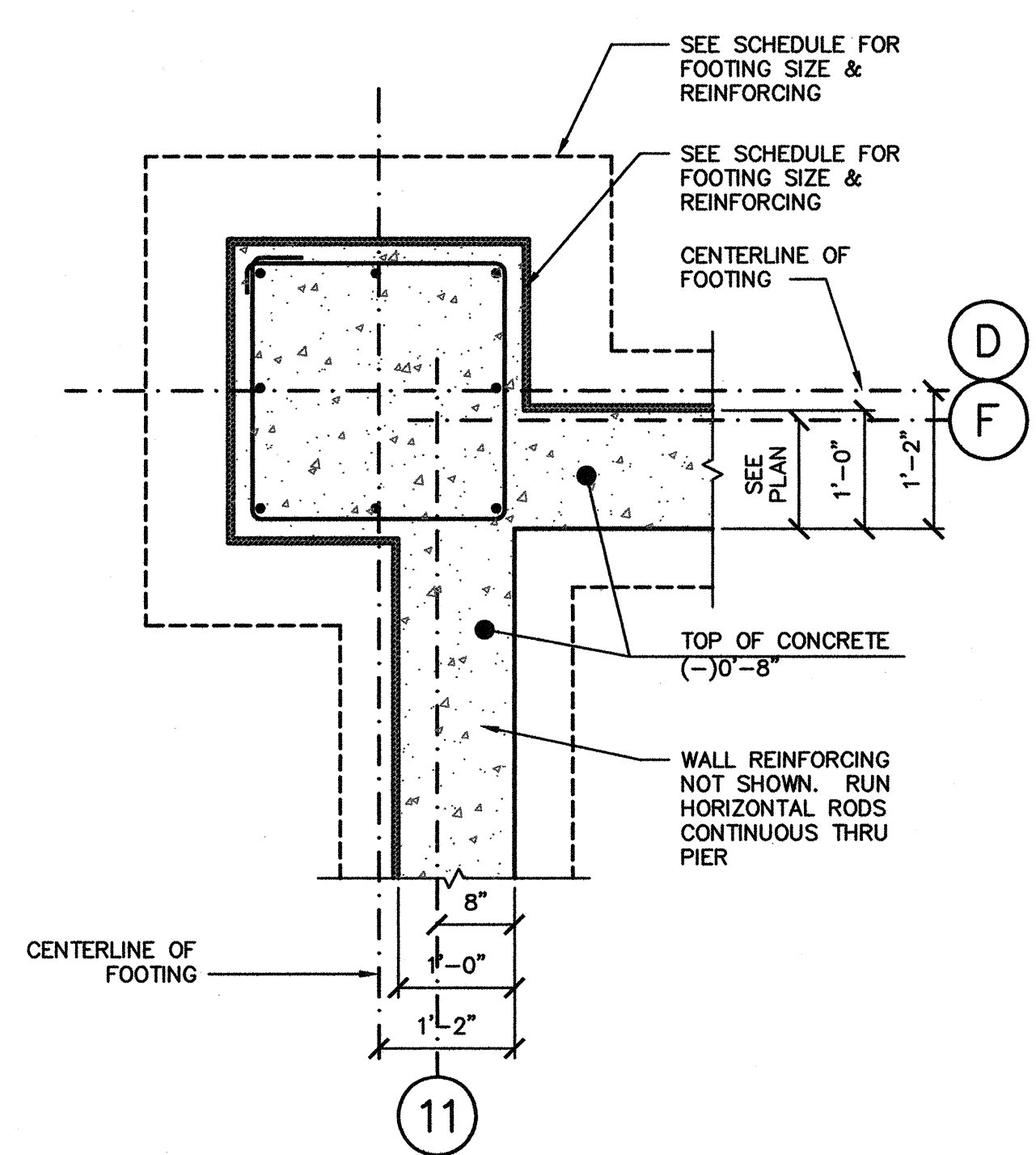
5 DETAIL
S-2.1 SCALE: 3/4" = 1'-0" OFFICE COLUMN FOUNDATION CORNER COLUMN



6 DETAIL
S-2.1 SCALE: 3/4" = 1'-0" OFFICE COLUMN FOUNDATION CORNER COLUMN



7 DETAIL
S-2.1 SCALE: 3/4" = 1'-0" OFFICE COLUMN FOUNDATION INSIDE CORNER COLUMN



8 DETAIL
S-2.1 SCALE: 3/4" = 1'-0" OFFICE COLUMN FOUNDATION INSIDE CORNER COLUMN