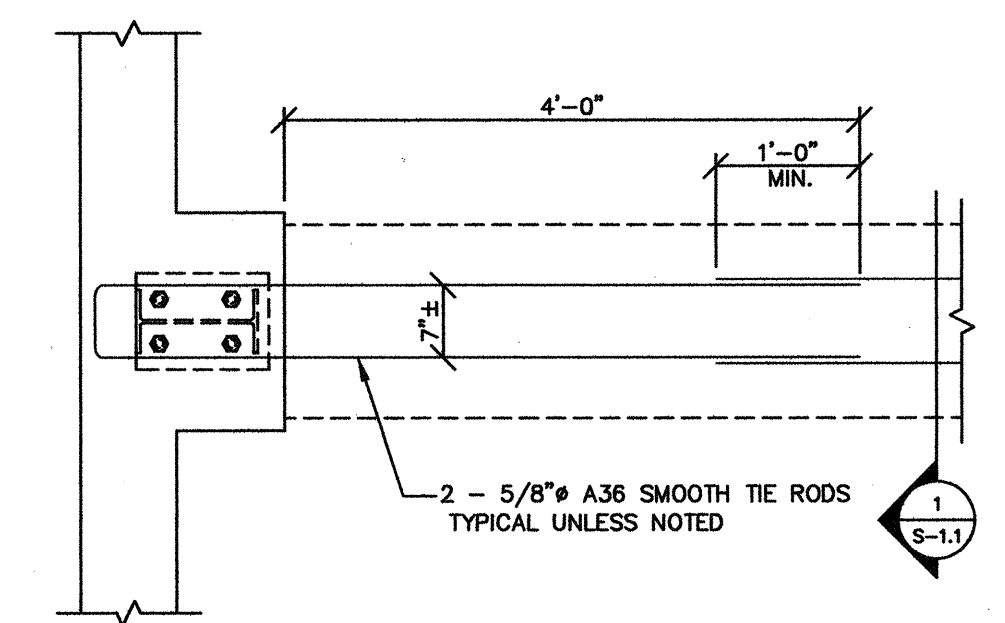
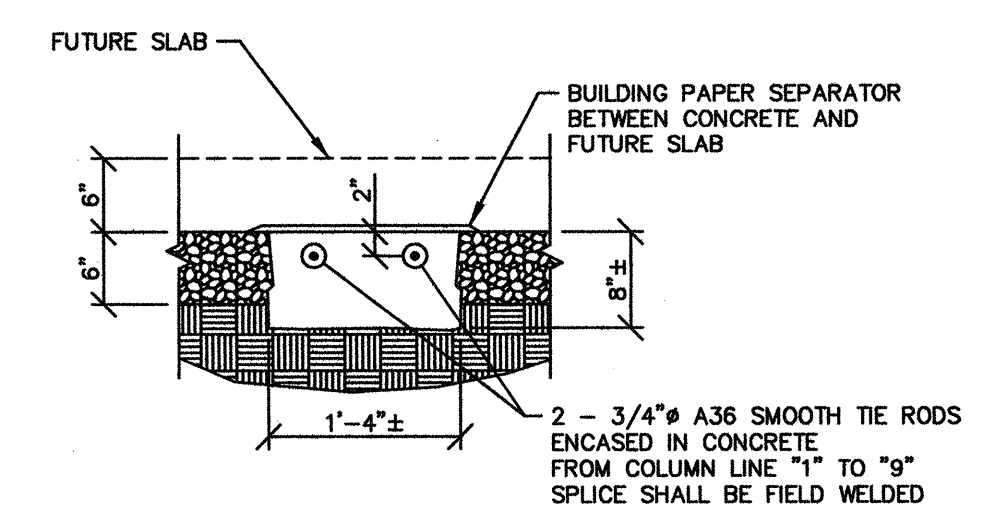


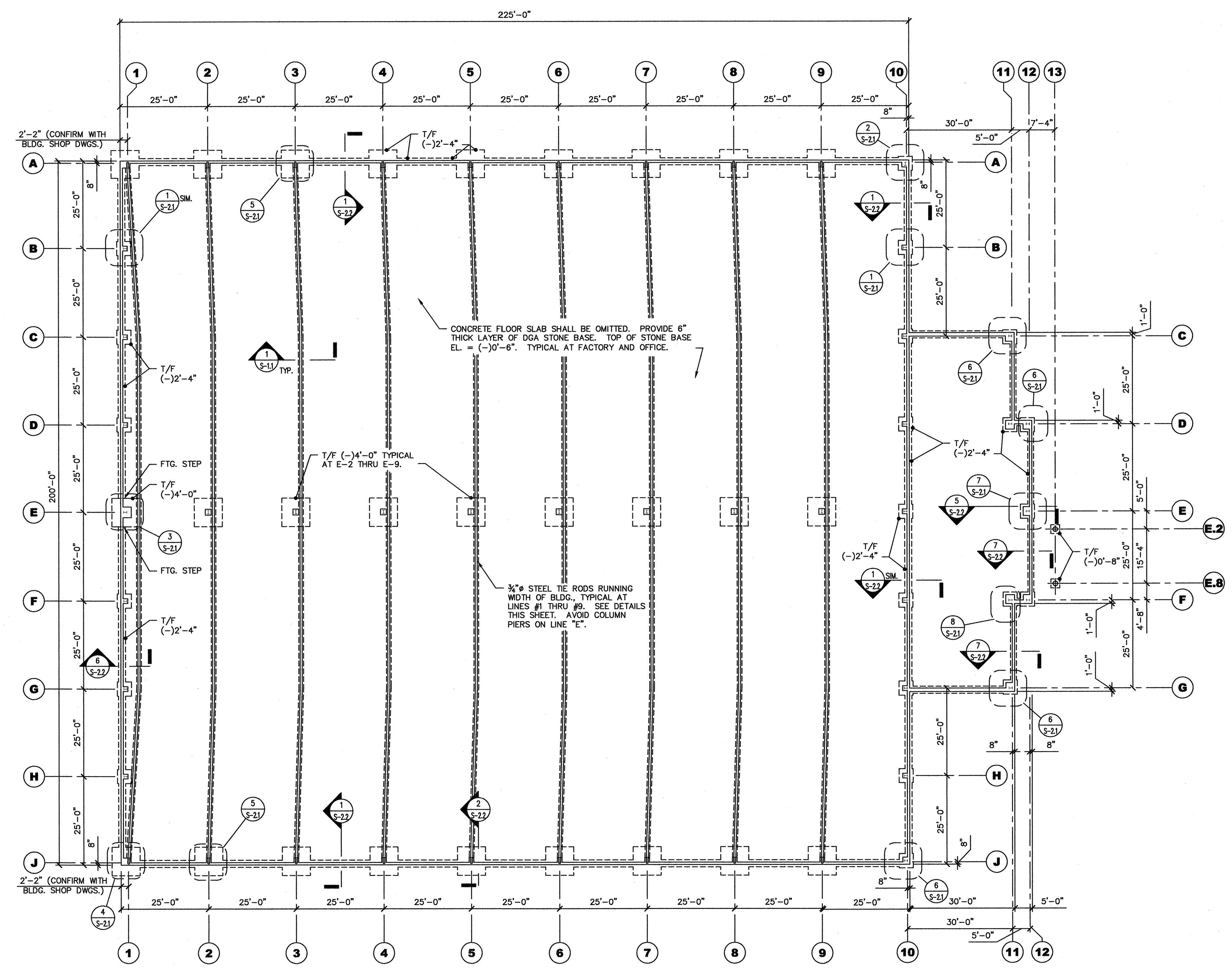
DETAIL
TYP. TIE ROD SPLICE



DETAIL
TYP. TIE ROD ANCHOR



SECTION
S-1.1 SCALE: 3/4"=1'-0"



A FOUNDATION PLAN
S-1.1 SCALE: 1/16"=1'-0"

T.F. DENOTES TOP OF FOOTING ELEVATION RELATIVE TO TOP OF FUTURE FLOOR SLAB
T.F. AT EXTERIOR FOOTINGS: (-)2'-4" TYPICAL UNLESS NOTED OTHERWISE (U.N.O.)
T.F. INTERIOR FOOTINGS: (-)4'-0" TYPICAL U.N.O.

IMPORTANT NOTE TO CONTRACTOR:
THESE FOUNDATION DRAWINGS HAVE BEEN DESIGNED AND DRAWN ACCORDING TO ASSUMPTIONS MADE REGARDING THE GENERAL DESIGN AND MANUFACTURE OF PRE ENGINEERED STEEL BUILDINGS. NO BUILDING FOUNDATIONS SHALL BE CONSTRUCTED PRIOR TO STRUCTURAL ENGINEER'S REVIEW OF THE PRE ENGINEERED BUILDING SHOP DRAWINGS. SOME FOUNDATION REVISIONS MAY BE REQUIRED TO ACCOMMODATE THE SPECIFIC PRE ENGINEERED BUILDING SUPPLIED.

DATE	REVISION	BY

PROJECT NO. BW	DESIGNED BY BW	DRAWN BY ML	CHECKED BY BW	DATE OCTOBER 2011	SCALE AS NOTED
----------------	----------------	-------------	---------------	-------------------	----------------

**Engineers
Architects
Planners**

OF KENTUCKY, INC.

Phone: (859)223-9884
Fax: (859)223-2607
624 Wellington Way
Lexington, KY 40503
www.mseinc.com

DRAWING NO.
S-1.1
SHEET OF

BRADFORD WALTON
STRUCTURAL ENGINEER
230 PLAZA DRIVE, SUITE #275
LEXINGTON, KY 40503
(859) 278-3603