

CITY OF STANTON
CITY HALL & POLICE STATION
STANTON, KENTUCKY

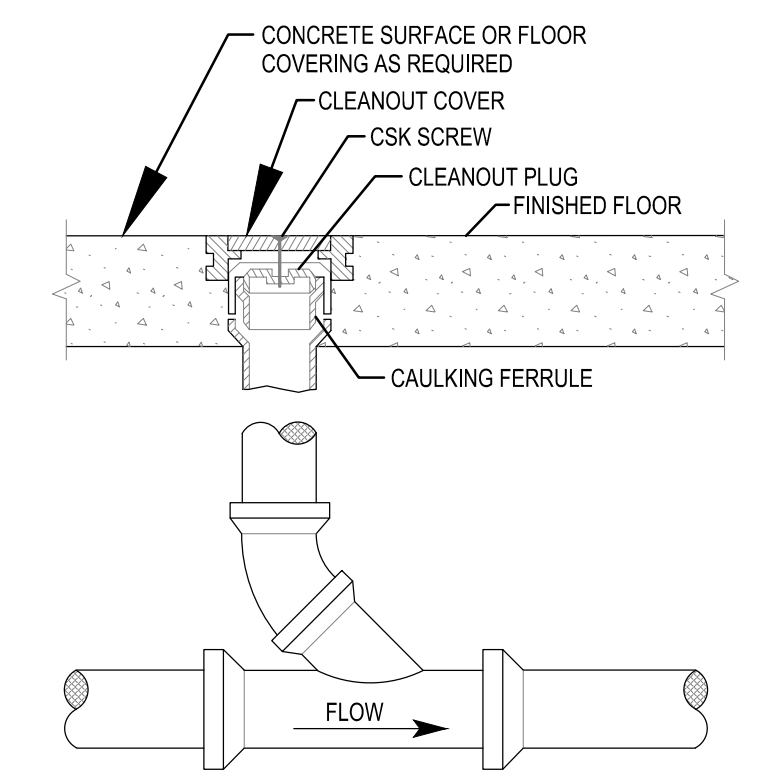
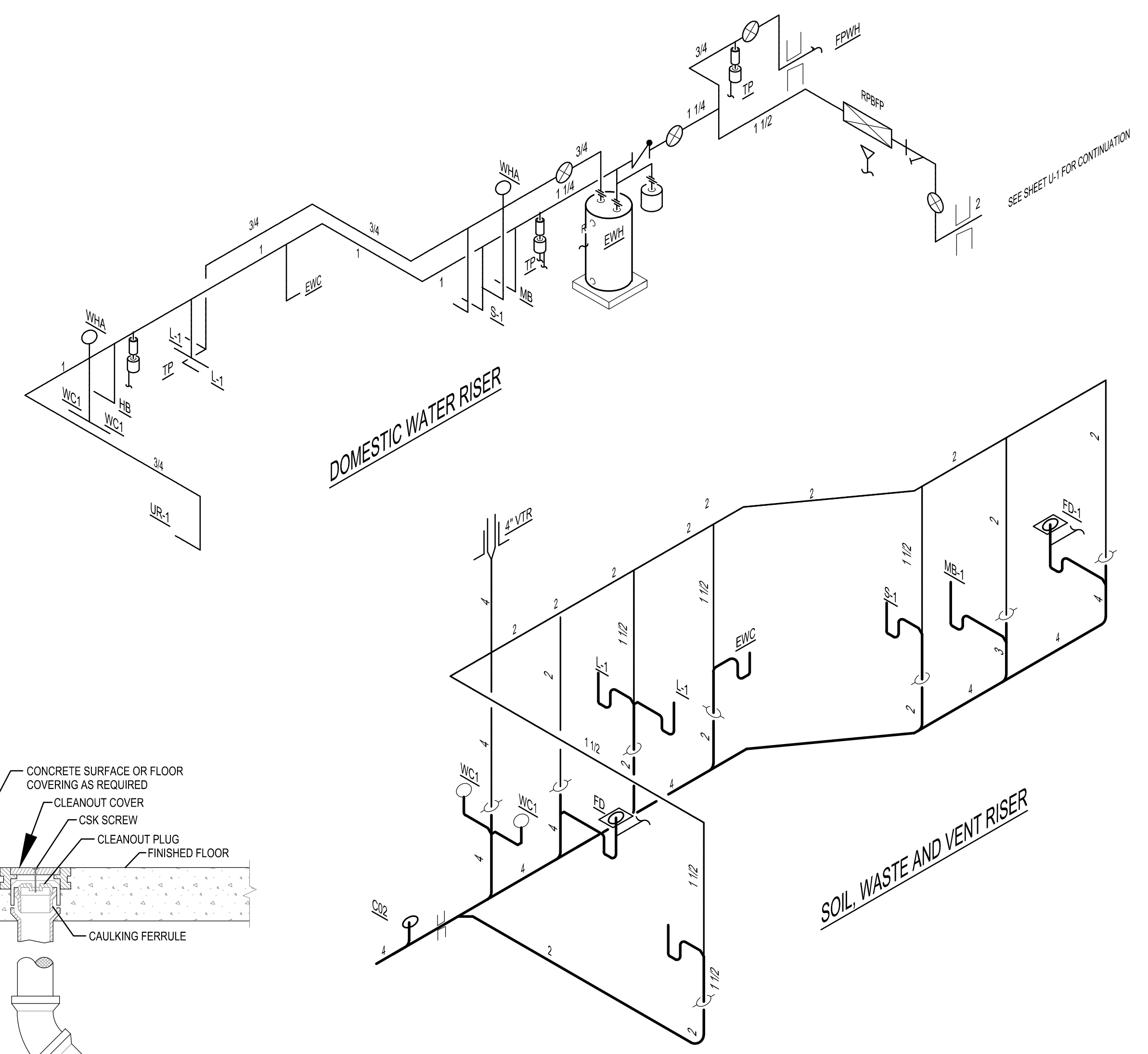
PLUMBING FIXTURE SCHEDULE								
MARK	MANUFACTURER & MODEL NO.	TYPE	TRIM	SUPPLY	DRAIN	COLOR	MOUNTING	OTHER
WC-1 (HANDICAPPED)	AMERICAN STANDARD "MADERA" 3464 128 020	ELONGATED FLOOR MOUNT W.C. W/ TOP SPUD ADA 16 1/2" HIGH	ZURN ZEMS6000AV-2-4S-WSI BATTERY OPERATED AUTOMATIC SENSOR OPERATED	1" CW	4" W/ INTEGRAL TRAP	TOILET: WHITE VITREOUS CHINA VALVE: CHROME	FLOOR 12" ROUGH IN	OLSONITE #95SS SEAT, FLUSH CONTROLS ON WIDE SIDE
UR-1	AMERICAN STANDARD "ALLBROOK" 6541.132	WALL HUNG URINAL	ZURN ZR8003AV-WS1 1.0 GPF SENSOR OPERATED BATTERY POWERED FLUSH VALVE	3/4" CW	2" W/ INTEGRAL TRAP	URINAL: WHITE VITREOUS CHINA VALVE: POLISHED CHROME	URINAL: WALL MOUNT W/ WALL HANGERS	MOUNT WITH FLOOR TO RIM DIMENSION OF 22" (WALL HANGERS INCLUDED WITH URINAL)
L-1	AMERICAN STANDARD "LUCERNE" 0355.012	20-1/2"x18-1/4" WALL HUNG LAVATORY	DELTA 500-WF FAUCET & METAL GRID STRAINER ASSEMBLY RP6346	3/8" HW & CW CHROME PLATED WITH LOOSE KEY STOPS	1-1/4" KY CODE 17 GA. CHROME PLATED P-TRAP	LAVATORY: WHITE VITREOUS CHINA FAUCET: POLISHED CHROME	WALL MOUNT W/ ZURN SUPPORT CARRIER.	MOUNT TOP OF RIM 34" A.F.F. INSULATE TRAP AND HOT WATER SUPPLY WITH FOAM PLASTIC INSULATION.
S-1	JUST DL-2233-A-GR	SINK 18 GA. SS, 22"x33" O.D., (2) 16"x14"x8" DEEP BOWLS 3 HOLE, ADA COMPLIANT	JUST J-902, 2.0 GPM WASHLESS MIXING FAUCET W/ESCUTHEON, SPRAY HOSE & SWING SPOUT, ADA COMPLIANT	1/2" HW & CW CHROME PLATED WITH STOPS 1-1/2" P-TRAP	J-35 CRUMB CUP, 1-1/2" TAILPIECE,	SINK: STAINLESS STEEL FAUCET: POLISHED CHROME	COUNTERTOP LAY-IN SELF RIMMING	
EWC	ELKAY EZTLBC	WATER COOLER SPLIT-LEVEL 8.0 GPH	PRESSURE TOUCH PADS	3/8" CW W/STOP	1-1/4" KY CODE P-TRAP	STAINLESS STEEL	WALL MOUNTED	MOUNT LOWER BUBBLER CENTER LINE AT 34" A.F.F., INSULATE P-TRAP.
MB	FIAT TSB-100	MOP SERVICE BASIN 24"x24"x12" DEEP & INTEGRAL DRAIN W/ CHROME PLATED STRAINER	830-AA SERVICE FAUCET W/ VACUUM BREAKER, ADJUSTABLE WALL BRACE, INTEGRAL STOPS & PAIL HOOK	1/2" HW & CW	3" DRAIN	SINK: TERRAZZO GRAY MARBLE FAUCET: CHROME PLATED	FLOOR MOUNTED	832-AA HOSE & HOSE BRACKET, STAINLESS CAPS PROVIDED ON ALL CURBS

PLUMBING PIPE SCHEDULE				
	INTERIOR BELOW GRADE	INTERIOR ABOVE FLOOR	EXTERIOR WITHIN 2' OF BUILDING	EXTERIOR, BURIED
DOMESTIC WATER	SOFT COPPER: ASTM B88-03 TYPE L HARD COPPER: ASTM B88-03 TYPE L PEX	HARD COPPER: ASTM B88-03 TYPE L PEX	SOFT COPPER: ASTM B88-03 TYPE L HARD COPPER: ASTM B88-03 TYPE L PEX, EXPANDED FOR FITTINGS	SOFT COPPER: ASTM B88-03 TYPE K
SANITARY SEWER	HUBLESS CAST IRON: ASTM A888-04a HARD COPPER DWV: ASTM B306-02 ABS PLASTIC SCH 40: ASTM D2661-02 PVC PLASTIC SCH 40: ASTM D2665-04ae1	HUBLESS CAST IRON: ASTM A888-04a (IF BUILDING CODE ALLOWS) HARD COPPER DWV: ASTM B306-02 ABS PLASTIC SCH 40: ASTM D2661-02 PVC PLASTIC SCH 40: ASTM D2665-04ae1	HUBLESS CAST IRON: ASTM A888-04a HARD COPPER DWV: ASTM B306-02 ABS PLASTIC SCH 40: ASTM D2661-02 PVC PLASTIC SCH 40: ASTM D2665-04ae1	HUBLESS CAST IRON: ASTM A888-04a HARD COPPER DWV: ASTM B306-02 ABS PLASTIC SCH 40: ASTM D2661-02 PVC PLASTIC SCH 40: ASTM D2665-04ae1
CONDENSATE DRAIN	HARD COPPER: ASTM B88-03 TYPE M	HARD COPPER: ASTM B88-03 TYPE M		

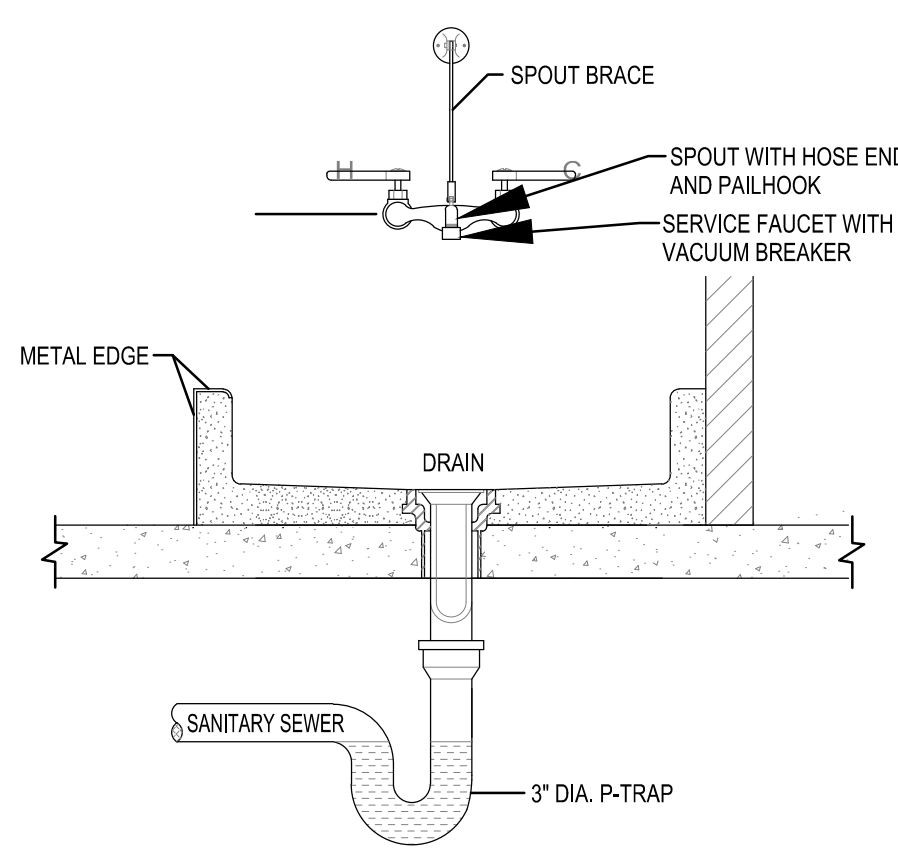
PLUMBING SPECIALTIES SCHEDULE						
MARK	MANUFACTURER & MODEL NO.	TYPE	SIZE	MATERIAL	MOUNTING	REMARKS
FD-1	ZURN ZN415-B-VP	FLOOR DRAIN W/ 5" TYPE "B" STRAINER	3" AND 4"	CAST IRON W/ NICKEL BRONZE TOP	FLOOR	VANDAL-PROOF TOP
HB	CHICAGO FAUCET NO 293	HOSE BIBB W/ VACUUM BREAKER NO.E2JKCP	1/2" CW	POLISHED CHROME PLATED	WALL RECESSED	WALL MOUNT 18" A.F.F., FURNISH 4 KEYS NO.293-6
WHA	WILKINS 1250-(A TO F)	WATER HAMMER ARRESTER	1/2", 3/4" OR 1"	COPPER TYPE "L"	PIPE	SEE DOMESTIC WATER RISER FOR LOCATION & SIZE
CO-1	ZURN ZN1400-VP	FLOOR CLEANOUT	LINE SIZE 4" MAXIMUM	CAST IRON W/ NICKEL BRONZE TOP	FLOOR	VANDAL-PROOF SCREWS TOP TO MATCH FLOOR COVERING
CO	ZURN ZN1474-N-VP	HEAVY DUTY CLEANOUT HOUSING W/ INTERNAL C/O Z1440-BP	LINE SIZE 4" MAXIMUM	CAST IRON W/ NICKEL BRONZE TOP	FLOOR	VANDAL-PROOF SCREWS
FPWH	ZURN Z1300	FREEZE-PROOF WALL HYDRANT	3/4" CW	NICKEL BRONZE BOX AND TOP	WALL	FURNISH WITH 4 KEYS PER EACH HYDRANT
TP	GLOBAL PPP PR-500	TRAP PRIMER	3/4" CW	NICKEL BRONZE	CONCEALED	
RPBFP	WATTS 009QT	REDUCED PRESSURE BACKFLOW PREVENTER	1"	BRONZE BRASS	PIPE, 4'-0" A.F.F.	LOCATION, SUPPLIED WITH 1/4 TURN BALL VALVE SHUT OFF'S

WATER HEATER SCHEDULE - ELECTRIC							
MARK	MANUFACTURER & MODEL NO.	CAPACITY GALLONS	NUMBER OF ELEMENTS /KW	ELECTRICAL CHARS	RECOVERY GAL/HOUR AT 90° RISE	EXPANSION TANK AMT/ROL MODEL NO.	TEMPERATURE SETTING
EWH-1	STATE PCE 52 20RTA	50	24.5	2081PH	18	AX-15	110° F

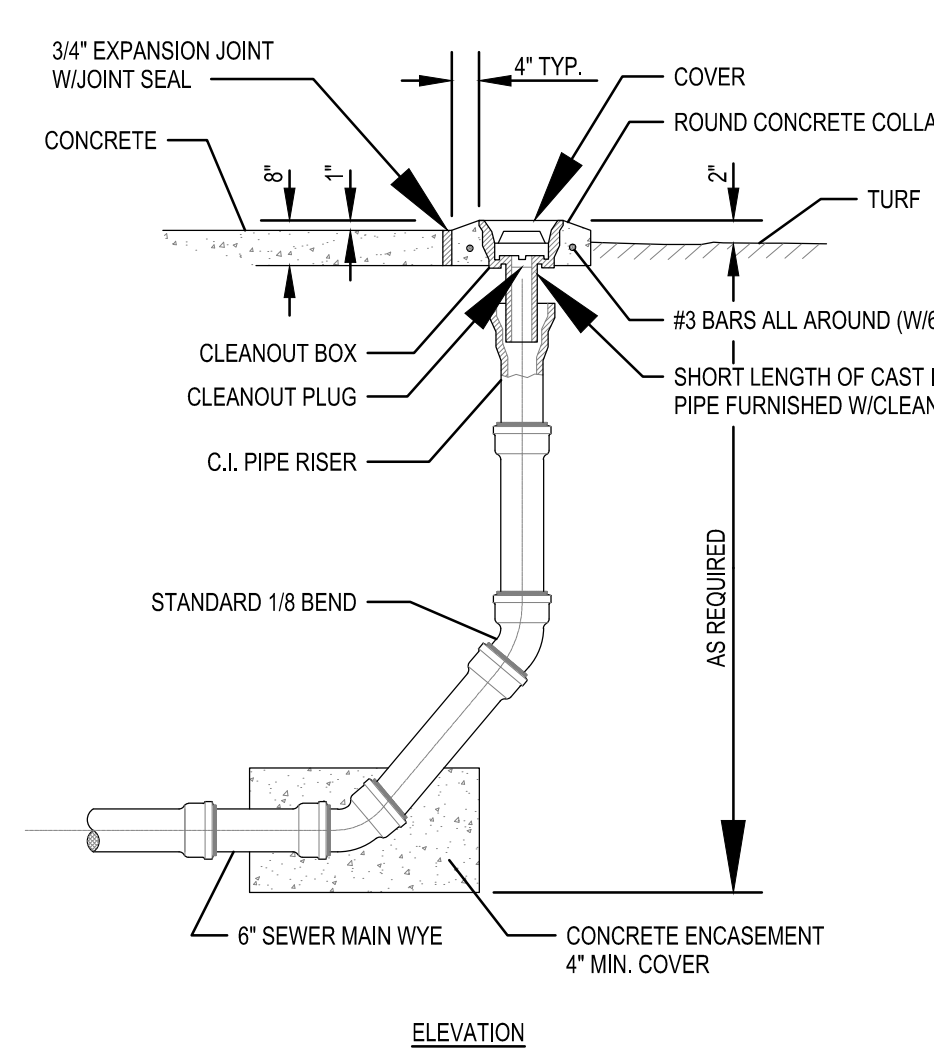
★ ACCEPTABLE MANUFACTURES INCLUDE: LOCHINVAR, STATE, RHEEM, & BRADFORD WHITE



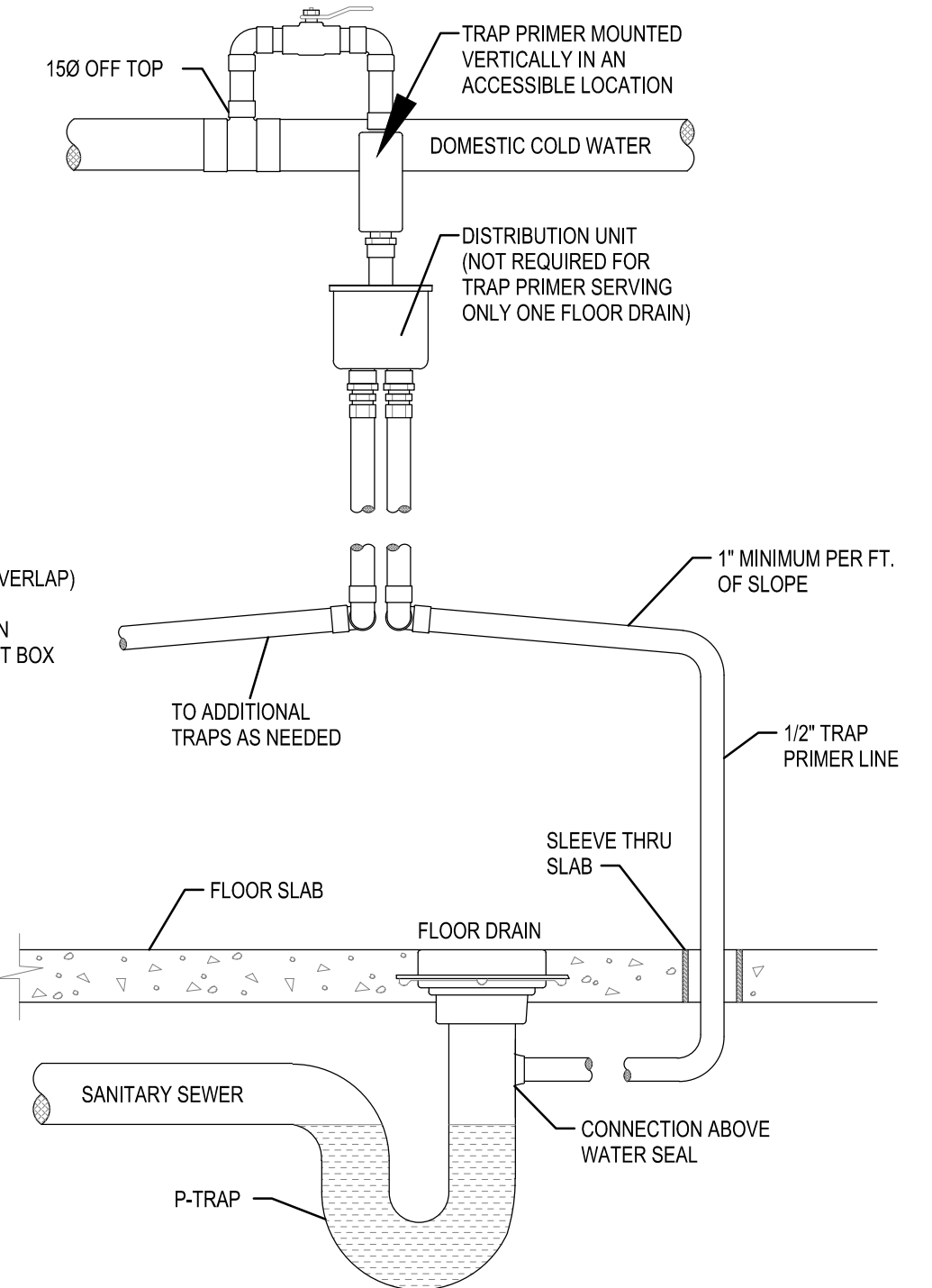
FLOOR CLEANOUT-FINISHED ROOM
 NOT TO SCALE



MOP BASIN DETAIL
 NOT TO SCALE



TYPICAL EXTERIOR CLEANOUT DETAIL
 NOT TO SCALE



TYPICAL TRAP PRIMER DETAIL
 NOT TO SCALE

DETAIL NOTES:
 1. ALL FLOOR DRAINS SHALL BE PRIMED.
 2. PEX PIPING CAN BE USED FROM THE DISTRIBUTION UNIT TO THE TRAP.

DATE	REVISION	BY

PROJECT NO. 4065-01
 DESIGNED BY TBM
 DRAWN BY TBM
 CHECKED BY TBM
 REVIEWED BY MCG
 DATE JUNE 2015
 SCALE AS NOTED

Mayes, Suddeth & Etheredge, Inc.
 624 Wellington Way
 Lexington, KY 40503
 Phone: (606) 225-5884
 Fax: (606) 223-2807