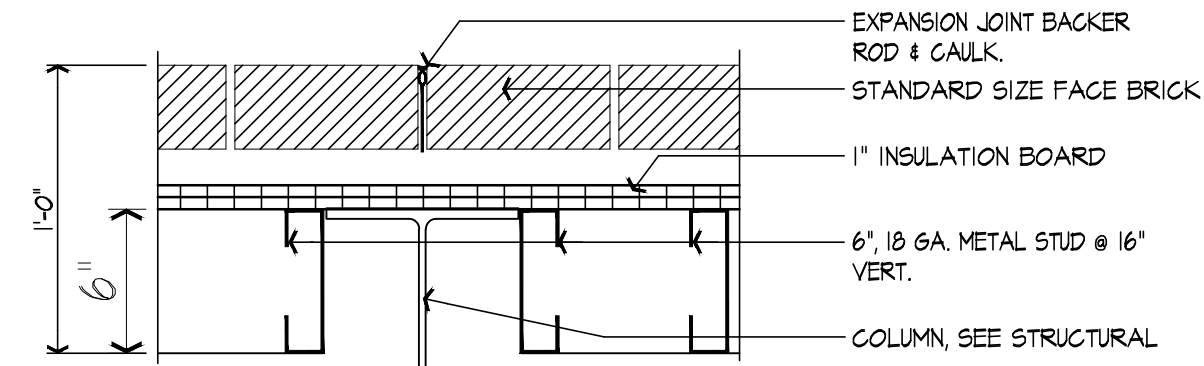


DIMENSIONAL RELATIONSHIP @ OFFICE

SCALE: 1/2" = 1' - 0"

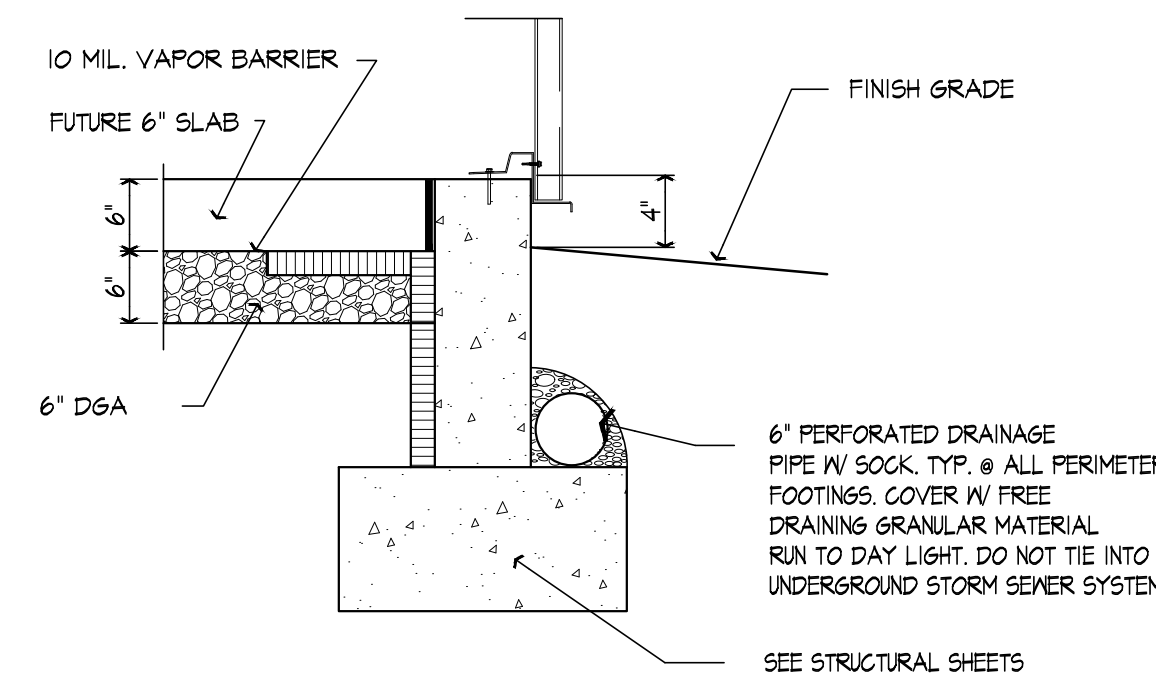
E
A-4



CONTROL JOINT DETAIL

SCALE: 1/2" = 1' - 0"

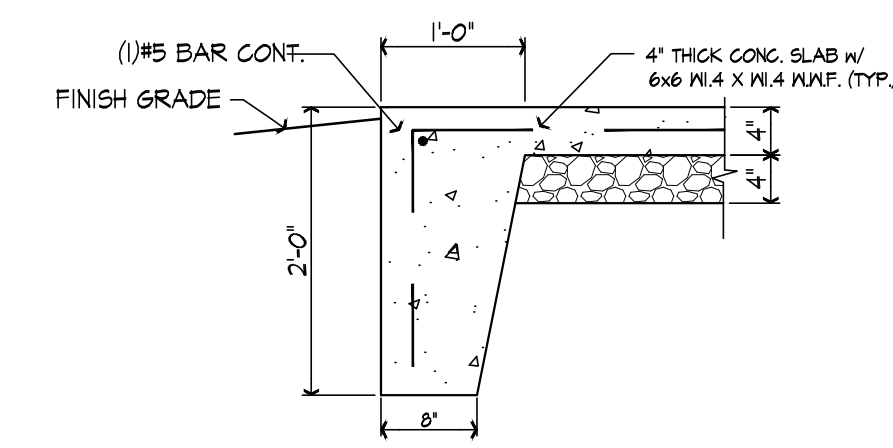
F
A-4



PERIMETER WALL DETAIL

SCALE: 3/4" = 1' - 0"

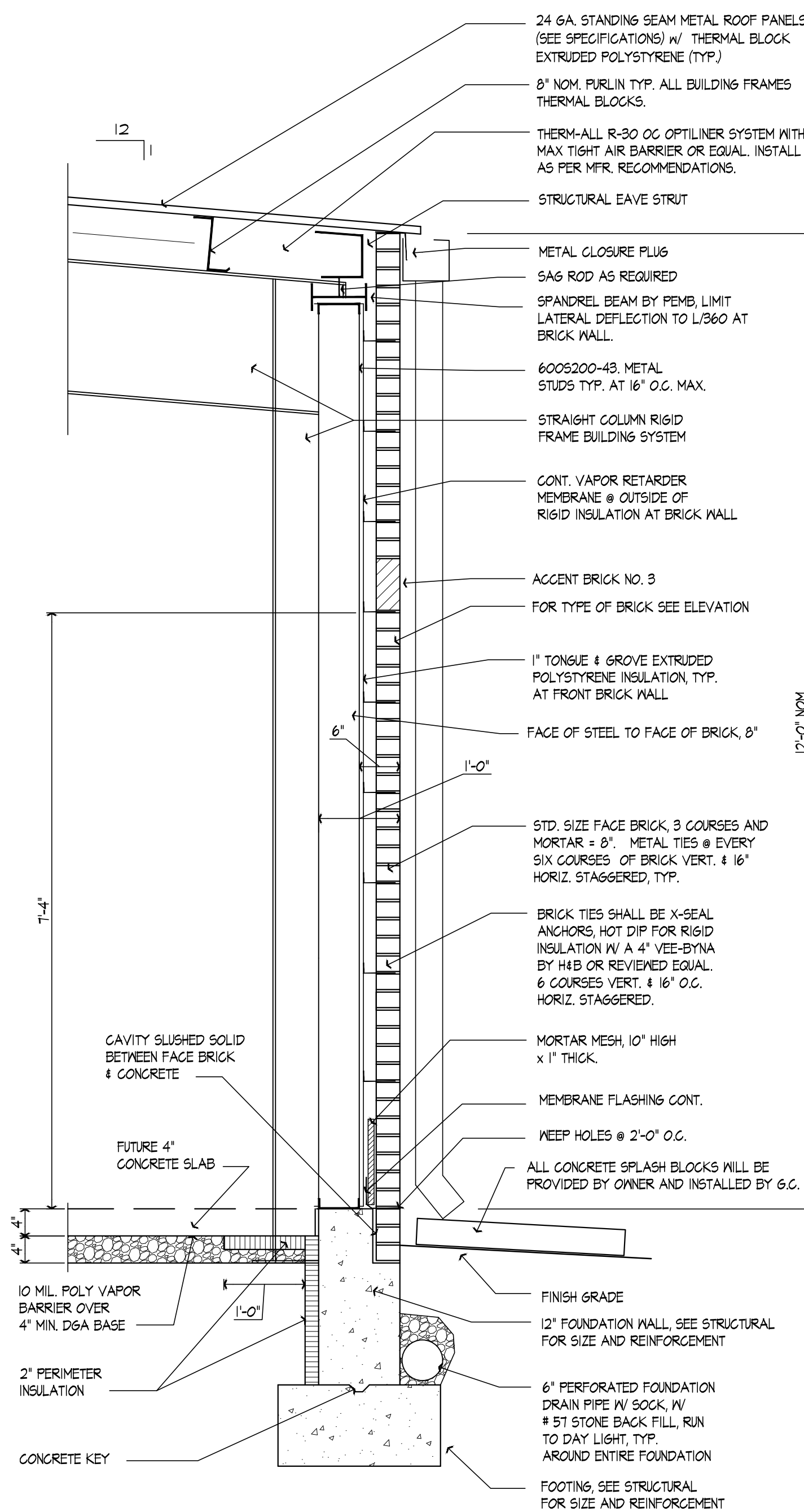
G
A-4



PORCH SLAB DETAIL

SCALE: 3/4" = 1' - 0"

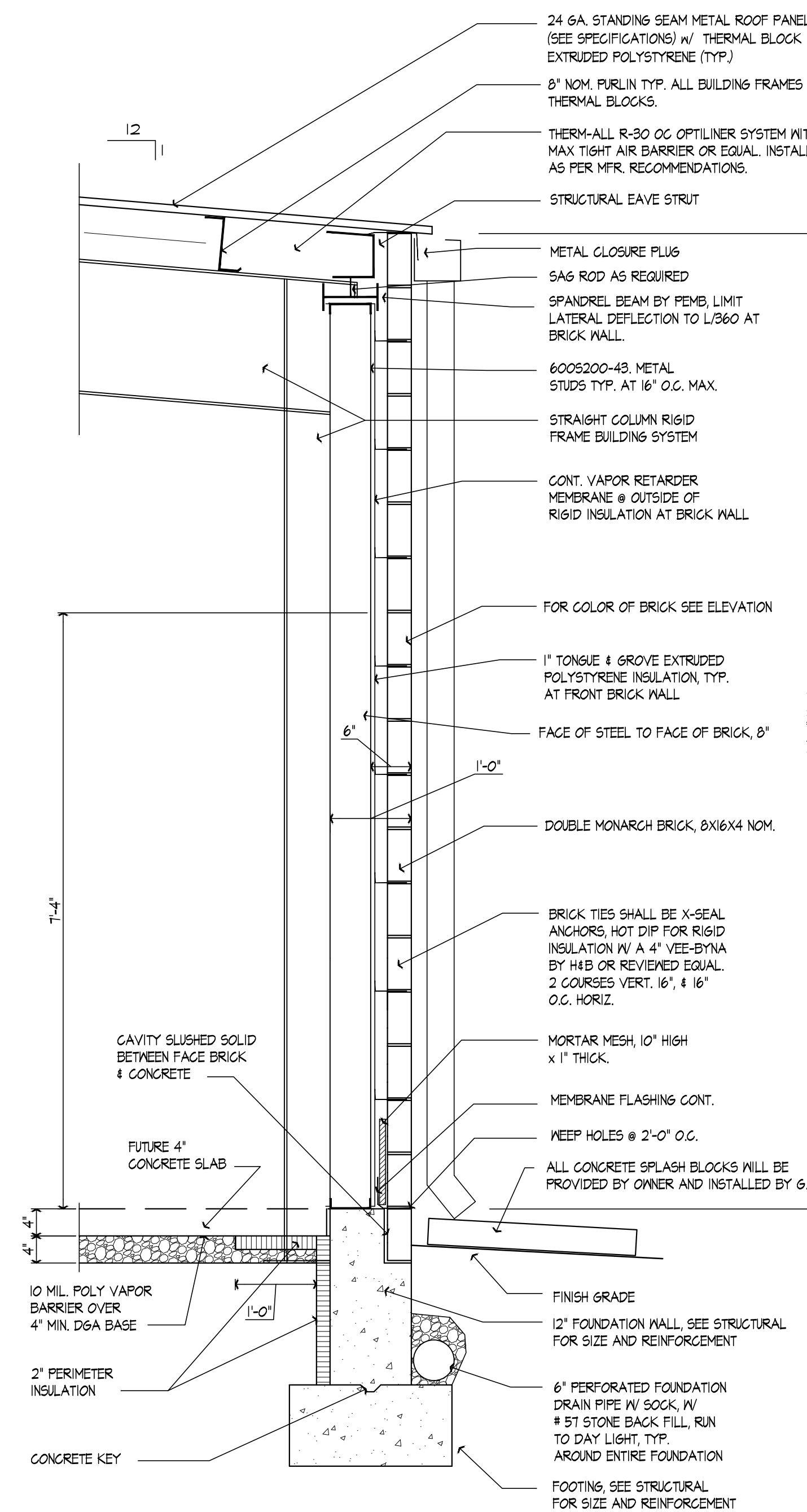
H
A-4



WALL SECTION @ OFFICE

SCALE: 3/4" = 1' - 0"

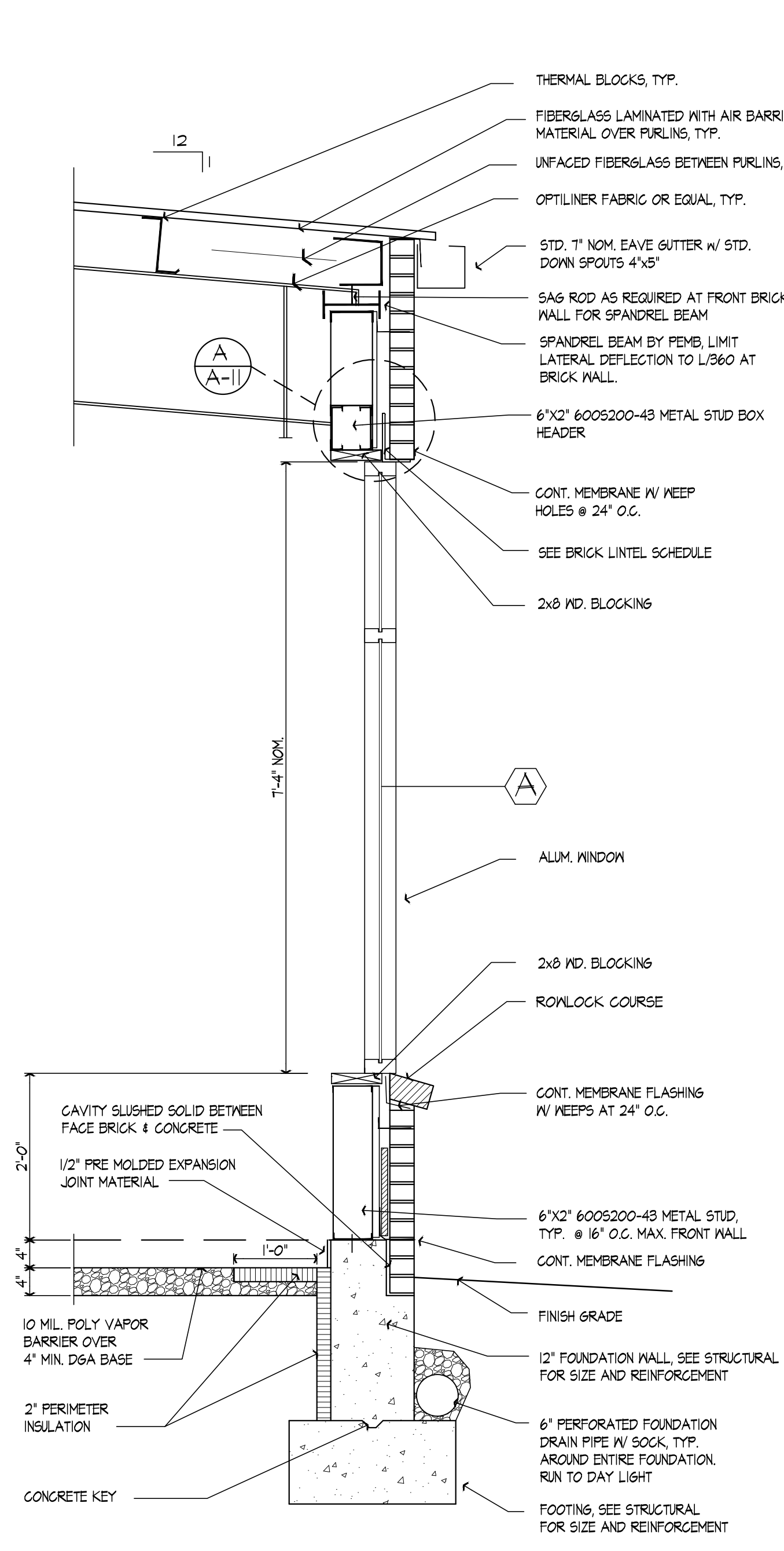
A
A-4



WALL SECTION @ OFFICE

SCALE: 3/4" = 1' - 0"

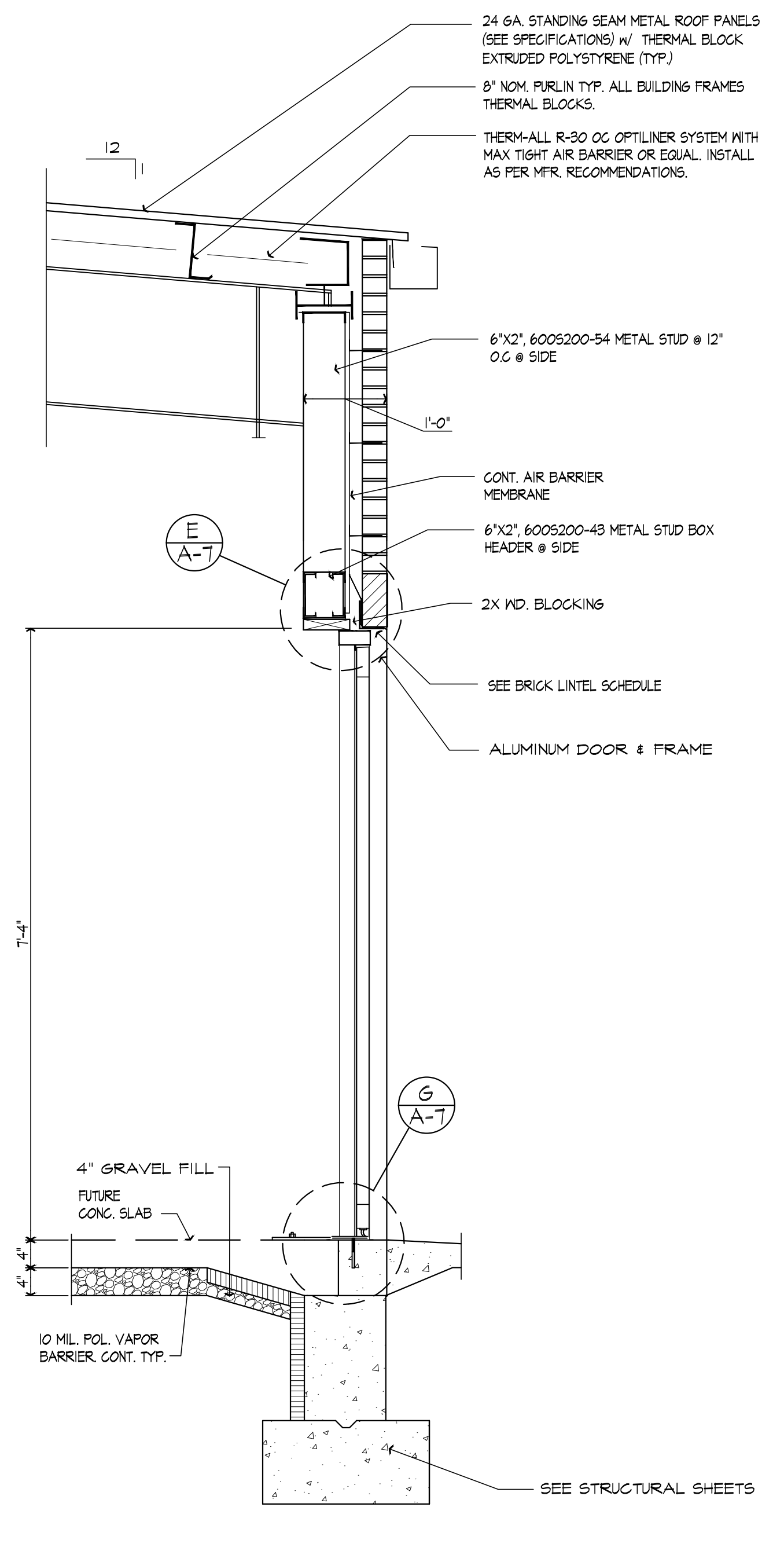
B
A-4



WALL SECTION @ OFFICE

SCALE: 3/4" = 1' - 0"

C
A-4



WALL SECTION @ OFFICE

SCALE: 3/4" = 1' - 0"

D
A-4

**SPECULATIVE BUILDING NO. 4
FOR
SOUTHEAST KY. REGIONAL IND. PARK
CORBIN, KENTUCKY**

DATE	REVISION	BY

DESIGN DOCUMENTS: The undersigned and all responsible and liability for problems which arise from failure to follow these plans, specifications and the design therefrom hereby consent to the use of these plans, specifications and the design therefrom by the contractor and subcontractors for the project herein. The undersigned and all responsible and liability for problems which arise from failure to follow these plans, specifications and the design therefrom hereby consent to the use of these plans, specifications and the design therefrom by the contractor and subcontractors for the project herein.

PROJECT NO. 2063-69
 DESIGNED BY MSF
 DRAWN BY MSF
 CHECKED BY MSF
 REVIEWED BY MSF
 DATE MAY 2018
 SCALE AS NOTED

MSF
 OF KENTUCKY, INC.
 Engineers
 Architects
 Planners

624 Wellington Way
 Lexington, KY 40503
 Phone: (609) 225-5694
 Fax: (609) 225-2607
 www.msfa.com

DRAWING NO.
A-4
 SHEET OF